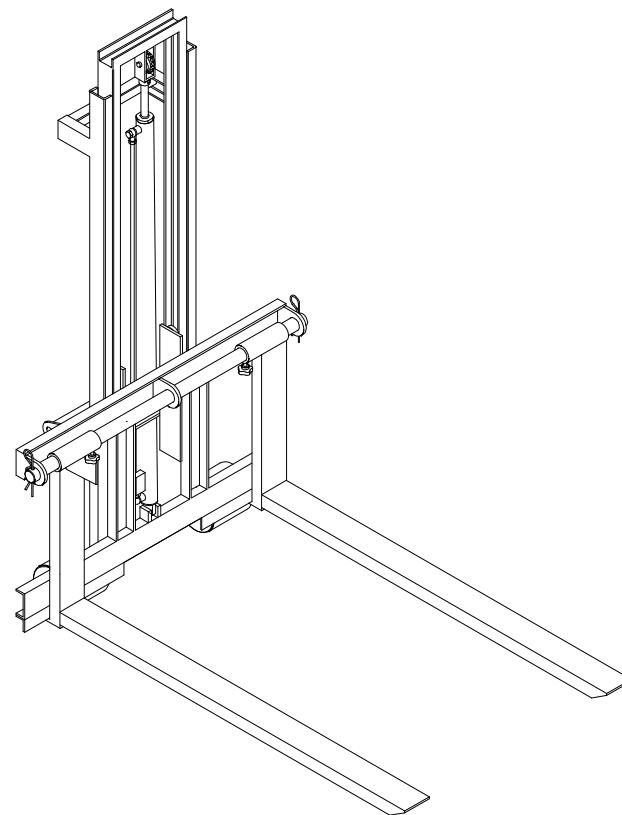


**Mod. ELEVATORE ARNIE 3 LEVE
K50 / K65**

Cod. 12335360FT

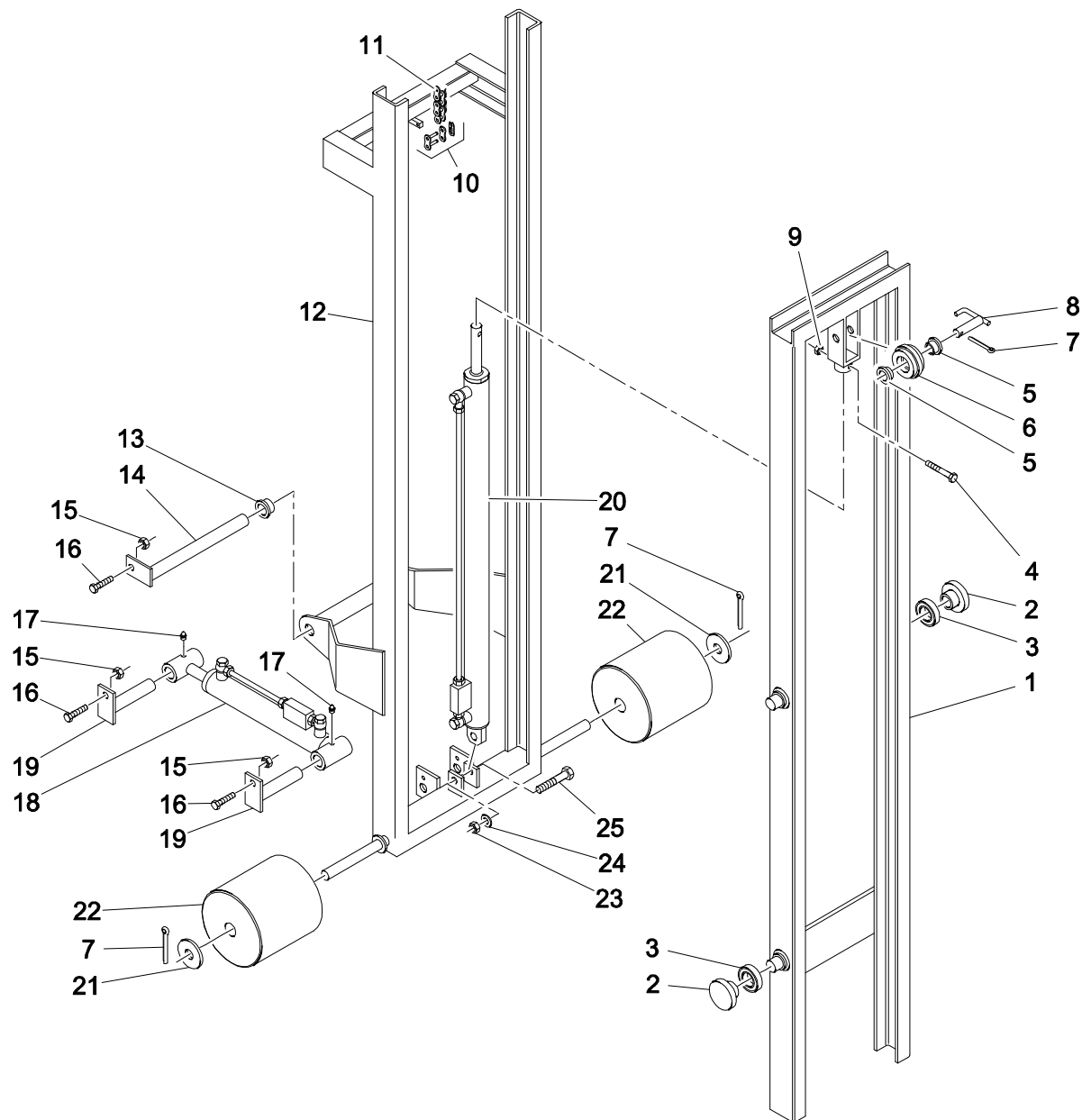
**PARTI DI RICAMBIO
SPARE PARTS
PIECES DE RECHANGE
*ERSATZTEILLISTE***



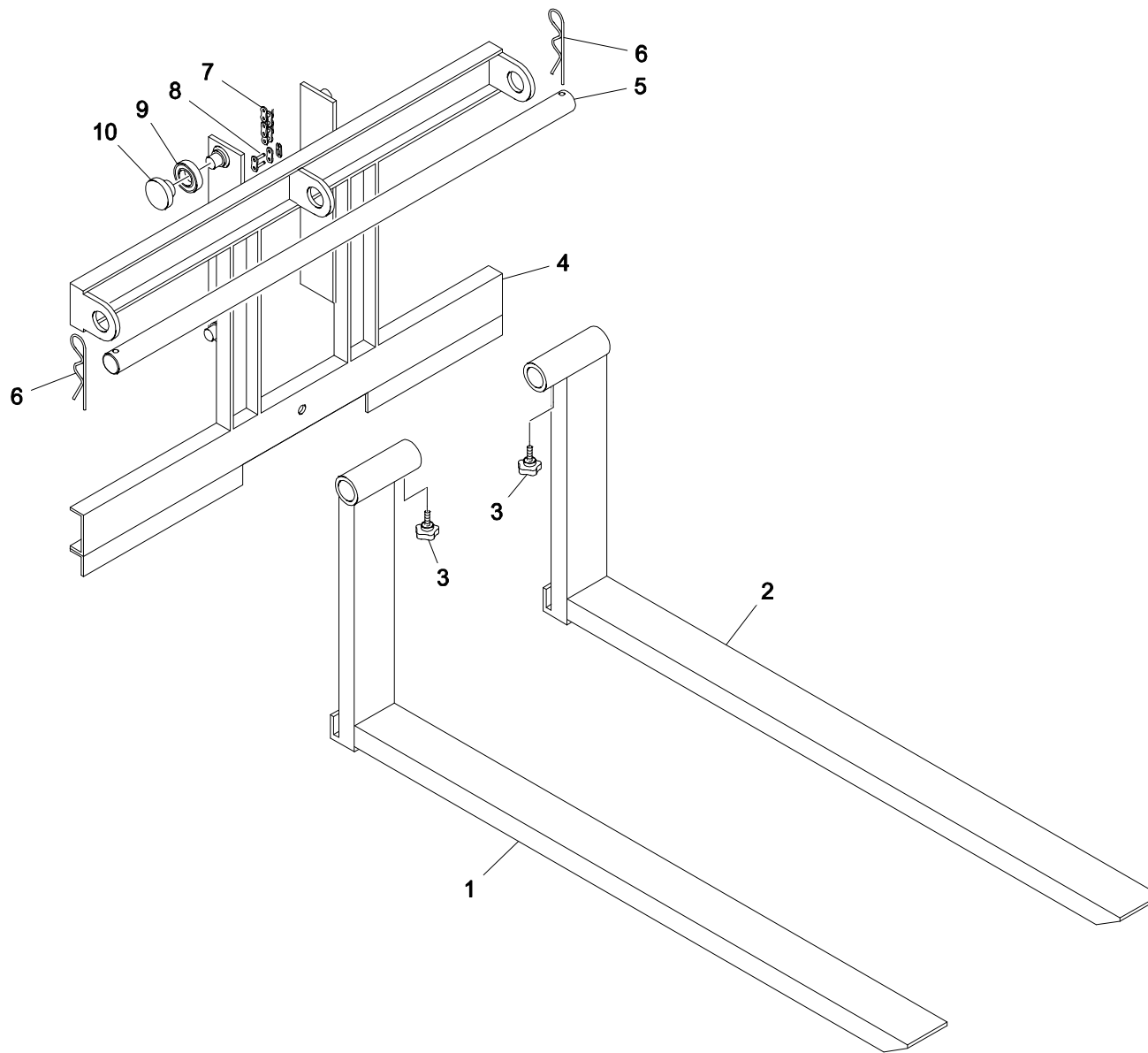
Mod. ELEVATORE ARNIE K50
Cod. 12335360FT

Tab.	01	TELAIO	FRAME	CHASSIS	RAHMEN
Tab.	02	TELAIO FORCHE	FORKS FRAME	CHASSIS FOURCHES	RAHMEN GABEL
Tab.	03	IMPIANTO IDRAULICO	HYDRAULIC EQUIPMENT	INSTALLATION HYDRAULIQUE	HYDRAULISCHE ANLAGE
Tab.	04	IMPIANTO IDRAULICO	HYDRAULIC EQUIPMENT	INSTALLATION HYDRAULIQUE	HYDRAULISCHE ANLAGE

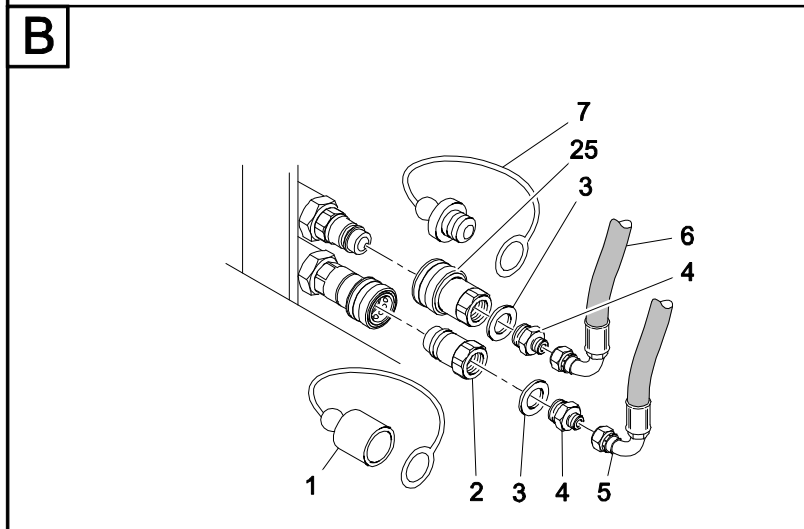
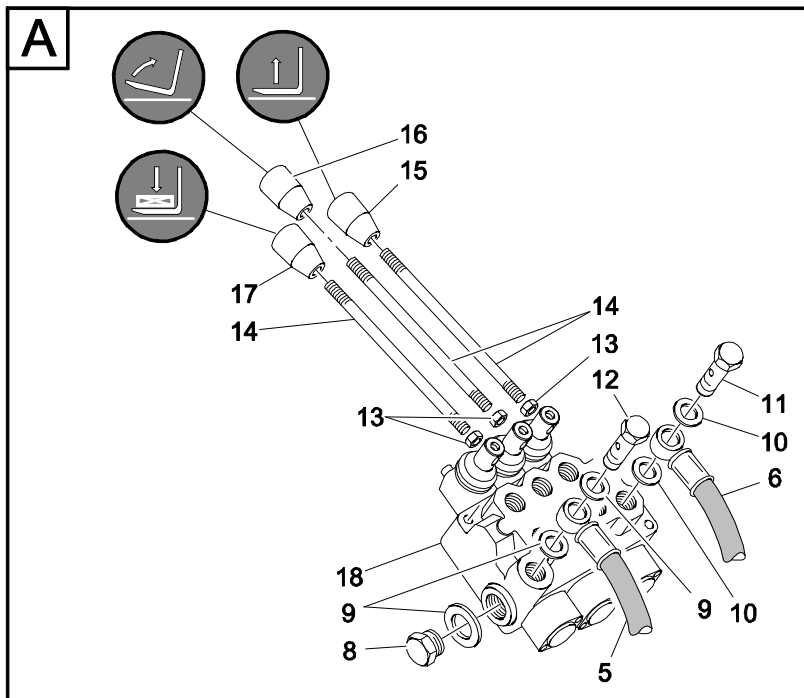
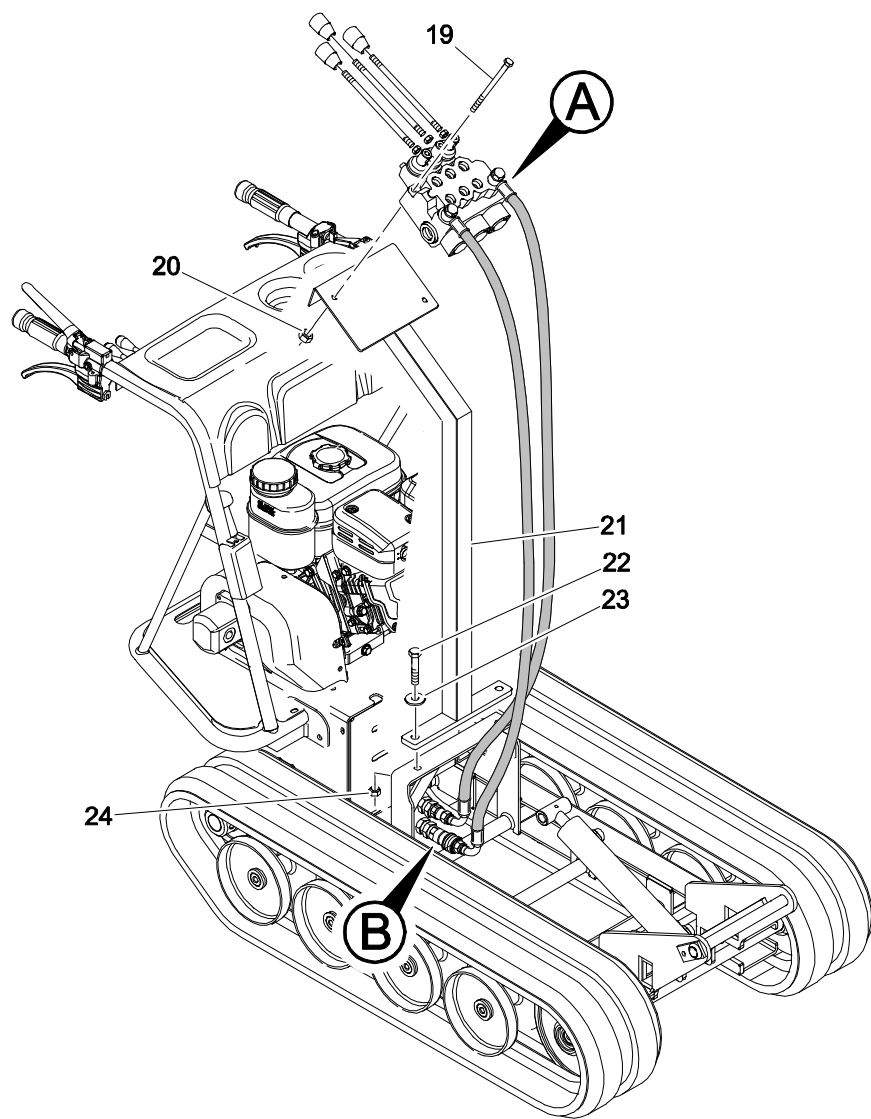
TAB 00		SCHEDA MODIFICHE E AGGIORNAMENTI - UP-GRADE AND MODIFY SCHEDULE LISTE DE MODIFICATION ET MISE A JOUR - ÄNDERUNGEN UND ERGÄNZUNGEN SCHEDULE				
DATA	TAB.	POS.	DESCRIZIONE (IT)	DESCRIPTION (EN)	DESCRIPTION (FR)	BENENNUNG (DE)



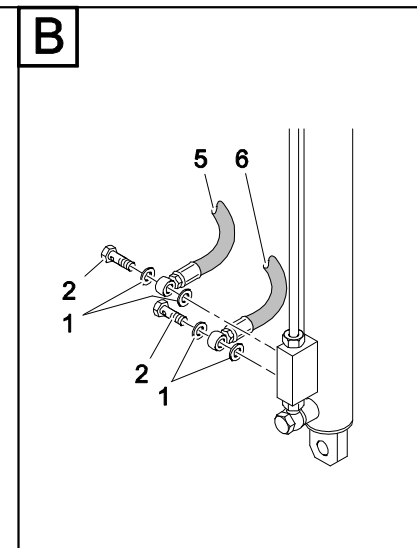
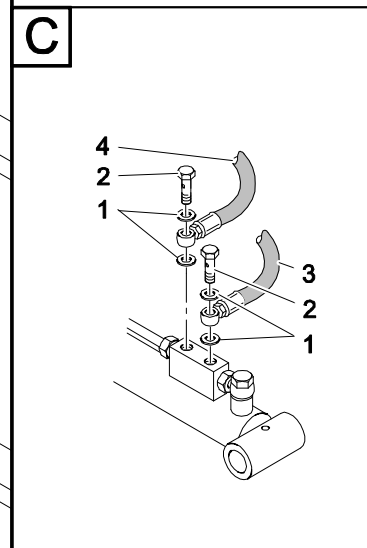
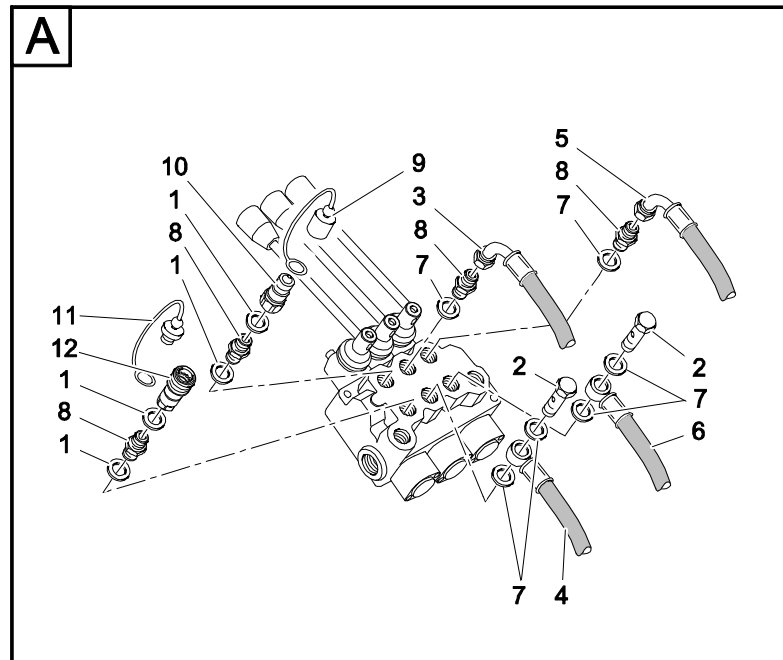
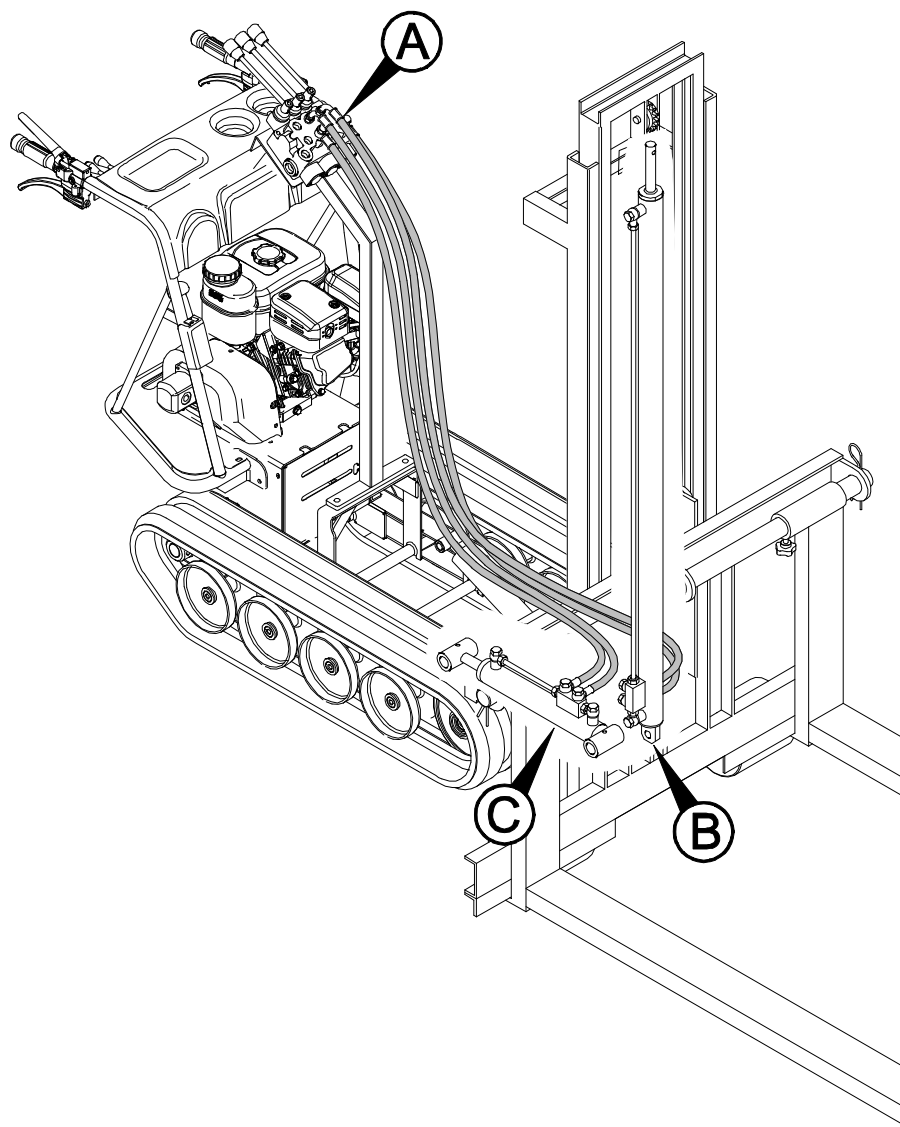
TAB. 01		TELAIO - FRAME CHASSIS - RAHMEN				
REF.	Q.	COD.	DESCRIZIONE (IT)	DESCRIPTION (EN)	DESCRIPTION (FR)	BENENNUNG (DE)
01	01	15535201	TELAIO INTERNO ELEVATORE	FRAME	CHASSIS	RAHMEN
02	04	15535207	PATTINO GRUPPI 10000 E 10001	SKID PLATE	PATIN	GLEITSTÜCK
03	04	15535206	ROTELLA A SFERA D.52,5	BEARING	ROULEMENT	LAGER
04	01	19952612	VITE TE M8X40 ZN B. UNI 5737	SCREW	VIS	SCHRAUBE
05	02	19903518	BOCCOLA FLANGIATA JFM 20-26-15	BUSH	DOUILLE	BÜCHSE
06	01	15535208	RULLO X CARRUCOLA ELEVATORE	ROLLER	ROULEAU	ROLLER
07	03	19957129	COPIGLIA 4X40 ZB. UNI 1336	COTTER PIN	GOUPILLE FENDUE	SPLINT
08	01	15535211	PERNO D.20X60 FERMA CATENA ELEVAT.	PIN	AXE	BOLZEN
09	01	19954254	DADO AUTOBL. M8 ZN BASSO DIN 985	NUT	ECROU	MUTTER
10	01	14650706	MAGLIA CONG. C/MOLLA CAT.5/8' 10B-1	JOINT	JOINT	VERBINDUNGSSTÜCK
11	01	14650721	CATENA 5/8' 10B-1 ISO606 66RULLI	CHAIN	CHAINE	KETTE
12	01	15535200	TELAIO ESTERNO ELEVATORE	FRAME	CHASSIS	RAHMEN
13	02	C1E0130	BOCCOLA FLANGIATA MFM 20-26-20	BUSH	DOUILLE	BÜCHSE
14	01	15675018	PERNO X BLOCCO DUMPER MINITR.	PIN	AXE	BOLZEN
15	03	19953908	DADO ESAG. M8 C/ROND. ZN B.	NUT	ECROU	MUTTER
16	03	19952729	VITE TE M8X25 ZN B. UNI 5739	SCREW	VIS	SCHRAUBE
17	02	19956201	INGRASS. M6X1 DRITTO	GREASE NIPPLE	GRAISSEUR	SCHMIERNIPPLE
18	01	C1E0117	MARTINETTO STABILIZZATORE	PISTON	VERIN	ZYLINDERKOLBEN
19	02	15675025	PERNO X BLOCCO MARTIN. MINITR.	PIN	AXE	BOLZEN
20	01	15535202	MARTINETTO CENTRALE ELEVATORE	PISTON	VERIN	ZYLINDERKOLBEN
21	02	19955060	ROND.PIANA D.25X44X4 ZN.B. UNI6592	PLAIN WASHER	RONDELLE	SCHEIBE
22	02	15675121	RULLO NYLON X ELEVATORE	ROLLER	ROULEAU	ROLLER
23	01	19954257	DADO AUTOBL. M14 ZN BASSO DIN 985	NUT	ECROU	MUTTER
24	01	19955055	ROND.PIANA D.14X28X2,5 ZN.B.UNI6592	PLAIN WASHER	RONDELLE	SCHEIBE
25	01	19952640	VITE TE M14X60 ZN B. UNI 5737	SCREW	VIS	SCHRAUBE



TAB. 02		TELAIO FORCHE - FORKS FRAME CHASSIS FOURCHES - RAHMEN GABEL				
REF.	Q.	COD.	DESCRIZIONE (IT)	DESCRIPTION (EN)	DESCRIPTION (FR)	BENENNUNG (DE)
01	01	15535204	FORCA DX ELEVATORE	FORK (R.)	FOURCHE (DR.)	GABEL (R.)
02	01	15535205	FORCA SX ELEVATORE	FORK (L.)	FOURCHE (G.)	GABEL (L.)
03	02	14660177	VOLANTINO A CROCE C/PERNO M8 L=16	KNOB	BOUTON	KNEBELGRIFF
04	01	15535203	TELAIO X FORCHE ELEVATORE	FRAME	CHASSIS	RAHMEN
05	01	15535212	PERNO D.25X680 FERMA FORCHE ELEVAT.	PIN	AXE	BOLZEN
06	02	15001085	SPINA DI FERMO D.4 A 'R'	PIN	GOUPILLE	STIFT
07	01	14650721	CATENA 5/8' 10B-1 ISO606 66RULLI	CHAIN	CHAINE	KETTE
08	01	14650706	MAGLIA CONG. C/MOLLA CAT.5/8' 10B-1	JOINT	JOINT	VERBINDUNGSSTUCK
09	04	15535206	ROTELLA A SFERA D.52,5	BEARING	ROULEMENT	LAGER
10	04	15535207	PATTINO GRUPPI 10000 E 10001	SKID PLATE	PATIN	GLEITSTÜCK



TAB. 03		IMPIANTO IDRAULICO - HYDRAULIC EQUIPMENT INSTALLATION HYDRAULIQUE - HYDRAULISCHE ANLAGE				
REF.	Q.	COD.	DESCRIZIONE (IT)	DESCRIPTION (EN)	DESCRIPTION (FR)	BENENNUNG (DE)
01	01	1466104001	TAPPO PVC X INN. RAP. BIR M 1/2'	PLUG	BOUCHON	STOPFEN
02	01	14661040	INNESTO RAPIDO BIR MASCHIO 1/2'	QUICK LINK	BRANCHEMENT	KUPPLUNG
03	02	19957311	RONDELLA BONDED 1/2'	PLAIN WASHER	RONDELLE	SCHEIBE
04	02	14661017	NIPPLES M/M 1/2'-1/4'	JOINT	RACCORD	ANSCHLUßSTÜCK
05	01	1567804402	TUBO R16 1/4 OC 3/8"+F90 1/4" L=980	PIPE	TUYAN	ROHR
06	01	1567804401	TUBO R16 1/4 OC 1/4"+F90 1/4" L=980	PIPE	TUYAN	ROHR
07	01	1466104501	TAPPO PVC X INN. RAP. BIR F 1/2'	PLUG	BOUCHON	STOPFEN
08	02	14661001	TAPPO MASCHIO 3/8' C/ESAG. INCASS.	PLUG	BOUCHON	STOPFEN
09	04	19957302	RONDELLA RAME 3/8' 17x23x1,5	PLAIN WASHER	RONDELLE	SCHEIBE
10	02	19957101	RONDELLA RAME 1/4' 13,5x19x1,5	PLAIN WASHER	RONDELLE	SCHEIBE
11	01	14671013	VITE FORATA 1/4'	SCREW	VIS	SCHRAUBE
12	01	14661030	VITE FORATA 3/8'	SCREW	VIS	SCHRAUBE
13	03	1235056802	DADO M8 X ASTA DISTRIBUTORE	NUT	ECROU	MUTTER
14	03	1235056803	ASTA D.8 X DISTRIBUTORE	ROD	TIGE	STANGE
15	01	1466015711	IMPUGNATURA C/SIMBOLO SOLL. FORCHE	KNOB	BOUTON	KNEBELGRIFF
16	01	1466015712	IMPUGNATURA C/SIMBOLO BRAND. FORCHE	KNOB	BOUTON	KNEBELGRIFF
17	01	1466015713	IMPUGNATURA C/SIMBOLO STRINGICASSA	KNOB	BOUTON	KNEBELGRIFF
18	01	12353008	DISTRIB. 3 LEVE ELEVATORE	DISTRIBUTOR	DISTRIBUTEUR	STEUERGERÄT
19	02	19952616	VITE TE M6X45 ZN B. UNI 5737	SCREW	VIS	SCHRAUBE
20	02	19954253	DADO AUTOBL. M6 ZN BASSO DIN 985	NUT	ECROU	MUTTER
21	01	15535210	SUPPORTO DISTRIBUT. ELEVATORE	SUPPORT	SUPPORT	HALTERUNG
22	02	19952749	VITE TE M12X35 ZN B. UNI 5739	SCREW	VIS	SCHRAUBE
23	02	19955013	ROND.PIANA D.12X36X3 ZN.B. UNI6593	WASHER	RONDELLE	SCHEIBE
24	02	19954212	DADO AUTOBL. M12 ZN ALTO DIN 982	NUT	ECROU	MUTTER
25	01	14661045	INNESTO RAPIDO BIR FEMMINA 1/2'	QUICK LINK	BRANCHEMENT	KUPPLUNG



TAB. 04		IMPIANTO IDRAULICO - HYDRAULIC EQUIPMENT INSTALLATION HYDRAULIQUE - HYDRAULISCHE ANLAGE				
REF.	Q.	COD.	DESCRIZIONE (IT)	DESCRIPTION (EN)	DESCRIPTION (FR)	BENENNUNG (DE)
01	12	19957312	RONDELLA BONDED 1/4'	PLAIN WASHER	RONDELLE	SCHEIBE
02	06	14671013	VITE FORATA 1/4'	SCREW	VIS	SCHRAUBE
03	01	1567804404	TUBO R16 1/4 F90 1/4"+OC 1/4"L=1600	PIPE	TUYAN	ROHR
04	01	1567804403	TUBO R16 1/4 OC 1/4"+OC 1/4" L=1600	PIPE	TUYAN	ROHR
05	01	1567804406	TUBO R16 1/4 OC 1/4"+F90 1/4"L=1450	PIPE	TUYAN	ROHR
06	01	1567804405	TUBO R16 1/4 OC 1/4"+OC 1/4" L=1450	PIPE	TUYAN	ROHR
07	06	19957101	RONDELLA RAME 1/4' 13,5x19x1,5	PLAIN WASHER	RONDELLE	SCHEIBE
08	04	14661010	NIPPLES CONGIUNZIONE M/M 1/4' BSP	JOINT	RACCORD	ANSCHLUßSTÜCK
09	01	1466104801	TAPPO PVC X INN. RAP. BIR M 1/4'	PLUG	BOUCHON	STOPFEN
10	01	14661048	INNESTO RAPIDO BIR MASCHIO 1/4'	QUICK LINK	BRANCHEMENT	KUPPLUNG
11	01	1466104701	TAPPO PVC X INN. RAP. BIR F 1/4'	PLUG	BOUCHON	STOPFEN
12	01	14661047	INNESTO RAPIDO BIR FEMMINA 1/4'	QUICK LINK	BRANCHEMENT	KUPPLUNG