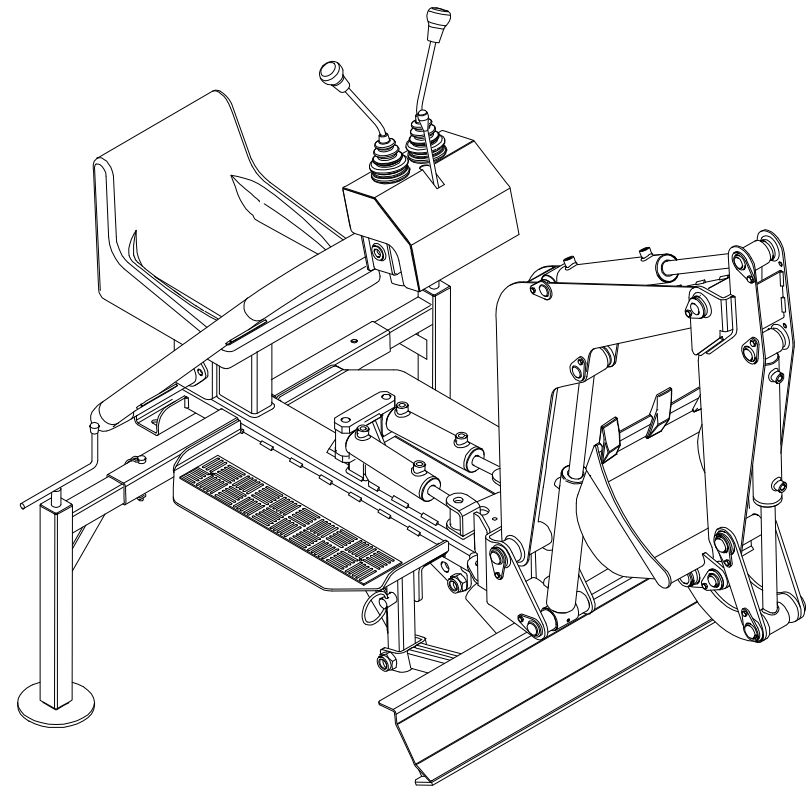


**Mod. ESCAVATORE**

**Cod. 12336852FT**

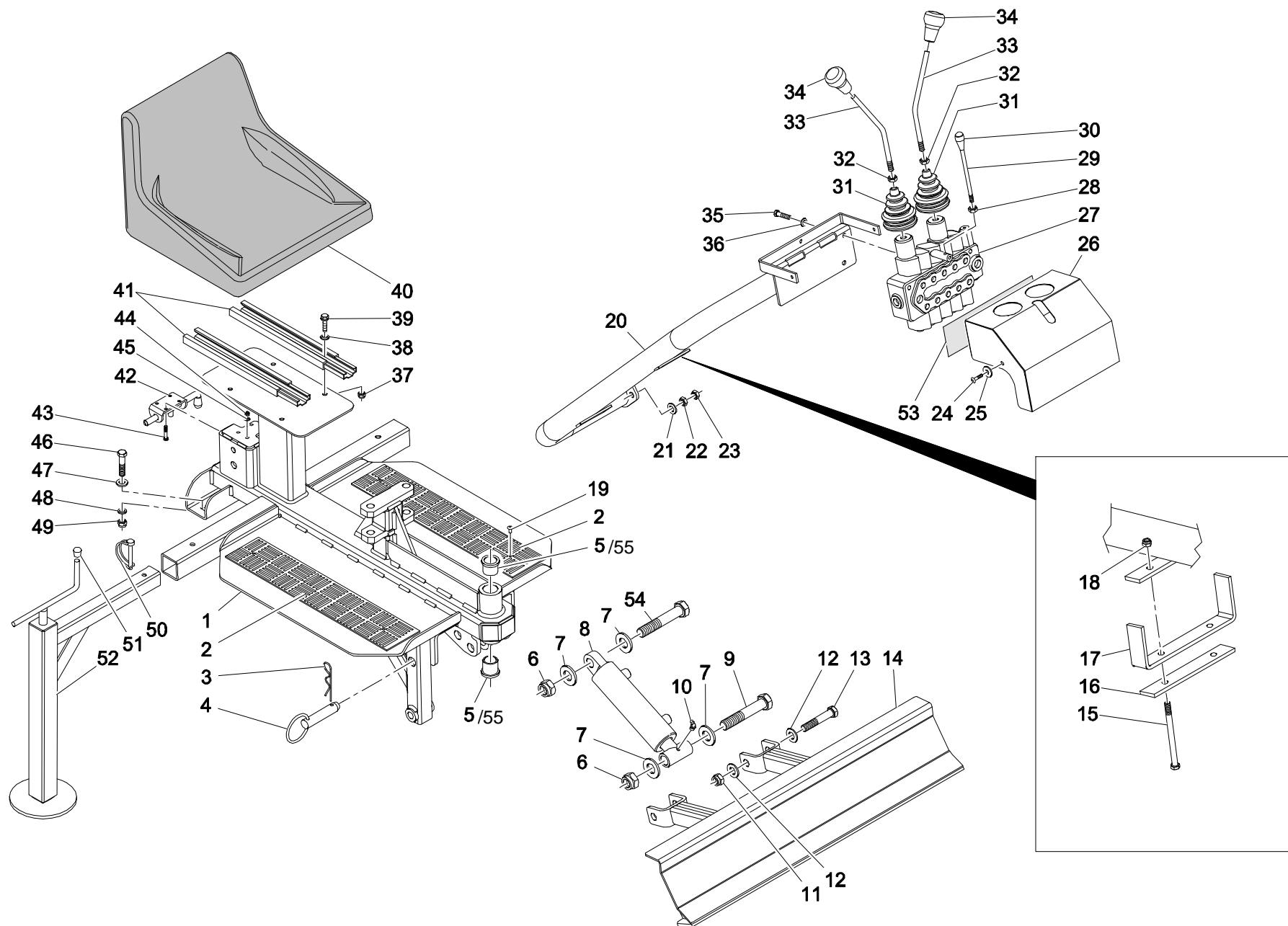
PARTI DI RICAMBIO  
*SPARE PARTS*  
PIECES DE RECHANGE  
*ERSATZTEILLISTE*



**Mod. ESCAVATORE Cm.130 (K65)**  
**Cod. 12336852FT**

Tab.	01	TELAIO	FRAME	SHASSIS	RAHMEN
Tab.	02	BRACCIO ANTERIORE	FRONT ARM	BRAS AVANT	ARM VORNE
Tab.	03	BRACCIO POSTERIORE	REAR ARM	BRAS ARRIÈRE	ARM HINTEN
Tab.	04	IMPIANTO IDRAULICO	HYDRAULIC EQUIPMENT	INSTALLATION HYDRAULIQUE	HYDRAULISCHE ANLAGE
Tab.	05	IMPIANTO IDRAULICO	HYDRAULIC EQUIPMENT	INSTALLATION HYDRAULIQUE	HYDRAULISCHE ANLAGE
Tab.	06	IMPIANTO IDRAULICO	HYDRAULIC EQUIPMENT	INSTALLATION HYDRAULIQUE	HYDRAULISCHE ANLAGE

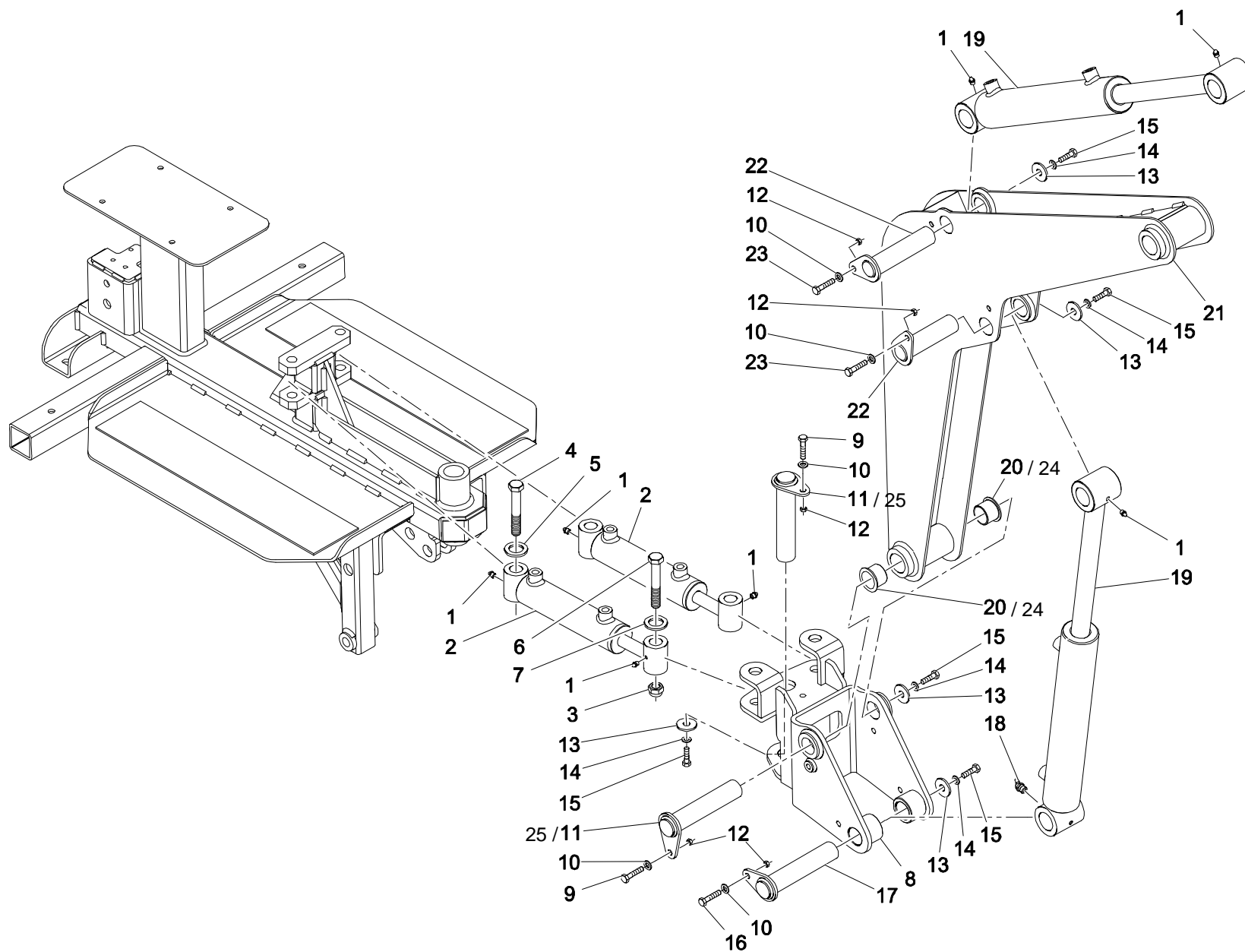
TAB 00		SCHEDA MODIFICHE E AGGIORNAMENTI - UP-GRADE AND MODIFY SCHEDULE LISTE DE MODIFICATION ET MISE A JOUR - ÄNDERUNGEN UND ERGÄNZUNGEN SCHEDULE				
DATA	TAB.	POS.	DESCRIZIONE (IT)	DESCRIPTION (EN)	DESCRIPTION (FR)	BENENNUNG (DE)



TAB. 01		TELAIO - FRAME CHASSIS - RAHMEN				
REF.	Q.	COD.	DESCRIZIONE (IT)	DESCRIPTION (EN)	DESCRIPTION (FR)	BENENNUNG (DE)
01	01	15685100	TELAIO ESCAVATORE CM.130 F650	FRAME	SHASSIS	RAHMEN
02	02	15685126	LAMIERA ANTISC. X ESCAVAT. CM. 130	NON SLIP	ANTI DÉRAPANT	ANTI RUTSCH
03	02	15001083	SPINA DI FERMO D.3 A 'R'	SPRING CLIP	GOUPILLE RAPIDE	VORSTECKER
04	02	15685125	PERNO ATTACCO ESCA. CM.130 F650	PIN	AXE	BOLZEN
05	02	19903522	BOCCOLA FLANGIATA GFM-30-34-26	BUSH	DOUILLE	BÜCHSE
06	02	19954228	DADO AUTOBL. M20X1,5 Z BAS. DIN 985	NUT	ECROU	MUTTER
07	04	19955058	ROND.PIANA D.20X37X3 ZN.B. UNI6592	PLAIN WASHER	RONDELLE	SCHEIBE
08	01	15685129	MARTINETTO C=100 ESCAV. CM.130 F650	PISTON	VERIN	ZYLINDERKOLBEN
09	01	19952700	VITE TE M20X70X1,5 ZN B. UNI 5738	SCREW	VIS	SCHRAUBE
10	01	19956225	INGRASS. M6X1 90'	GREASE NIPPLE	GRAISSEUR	SCHMIERNIPPLE
11	02	19954258	DADO AUTOBL. M16 ZN BASSO DIN 985	NUT	ECROU	MUTTER
12	04	19955056	ROND.PIANA D.16X30X3 ZN.B. UNI6592	PLAIN WASHER	RONDELLE	SCHEIBE
13	02	19952698	VITE TE M16X90 ZN B. UNI 5737	SCREW	VIS	SCHRAUBE
14	01	15685130	RUSPA ANTER. BASSA 82 ESCAV. CM.130	SHOVEL	PELLE	SCHAUFEL
15	04	19952248	VITE TCEI M6X65 ZN B. UNI 5931	SCREW	VIS	SCHRAUBE
16	02	15685127	LAMIERA X TUBI EST. ESCAVAT. CM.130	PLATE	PLAQUE	PLATTE
17	02	15685128	LAMIERA X TUBI INT. ESCAVAT. CM.130	PLATE	PLAQUE	PLATTE
18	04	19954253	DADO AUTOBL. M6 ZN BASSO DIN 985	NUT	ECROU	MUTTER
19	04	19957216	RIVETTI A STRAPPO 5X16	RIVET	RIVET	NIET
20	01	15685111	SUPP. DISTRIBUT. ESCAV. CM.130 F650	SUPPORT	SUPPORT	HALTERUNG
21	01	19956054	SPESSORE ACC. 16-25-1	RING	BAGUE	RING
22	01	19954080	DADO ESAG. M16 ZN B. BASSO UNI 5589	NUT	ECROU	MUTTER
23	01	19954009	DADO ESAG. M16 ZN B. ALTO UNI 5587	NUT	ECROU	MUTTER
24	03	19952006	VITE TBEI M6X16 ZN. B UNI 7380	SCREW	VIS	SCHRAUBE
25	03	19955007	ROND.PIANA D.6X18X1,5 ZN.B. UNI6592	PLAIN WASHER	RONDELLE	SCHEIBE
26	01	15685120	COPERCHIO DISTRIBUTORE ESCAV. F650	COVER	COUVERCLE	DECKEL
27	01	12353006	DISTRIB. 5 LEVE SDM080/5 ESCAVATORE	DISTRIBUTOR	DISTRIBUTEUR	STEUERGERÄT
28	01	1235056802	DADO M8 X ASTA DISTRIBUTORE	NUT	ECROU	MUTTER
29	01	1235056803	ASTA D.8 X DISTRIBUTORE	ROD	TIGE	STANGE
30	01	1235056801	POMELLO X ASTA DISTR. D.8	KNOB	BOUTON	KNEBELGRIFF
31	02	14680512	SOFFIETTO IN GOMMA D.10	GUARD	PROTECTION	SCHUTZ
32	02	19954065	DADO ESAG. M12 ZN B. BASSO UNI 5589	NUT	ECROU	MUTTER
33	02	15685121	ASTA C/DO ESCAVATORE CM.130 F650	ROD	TIGE	STANGE
34	02	14660155	IMPUGNATURA D.12x65 NERA	KNOB	BOUTON	KNEBELGRIFF
35	03	19952721	VITE TE M8X20 ZN B. UNI 5739	SCREW	VIS	SCHRAUBE
36	03	19955273	ROSETTA ELAS.D.8 RINFORZ. DIN 127/B	SPRING WASHER	RONDELLE ELASTIQUE	FEDERSCHREIBE
37	04	19954254	DADO AUTOBL. M8 ZN BASSO DIN 985	NUT	ECROU	MUTTER
38	04	19955052	ROND.PIANA D.8X16X1,5 ZN.B. UNI6592	PLAIN WASHER	RONDELLE	SCHEIBE
39	04	19952721	VITE TE M8X20 ZN B. UNI 5739	SCREW	VIS	SCHRAUBE

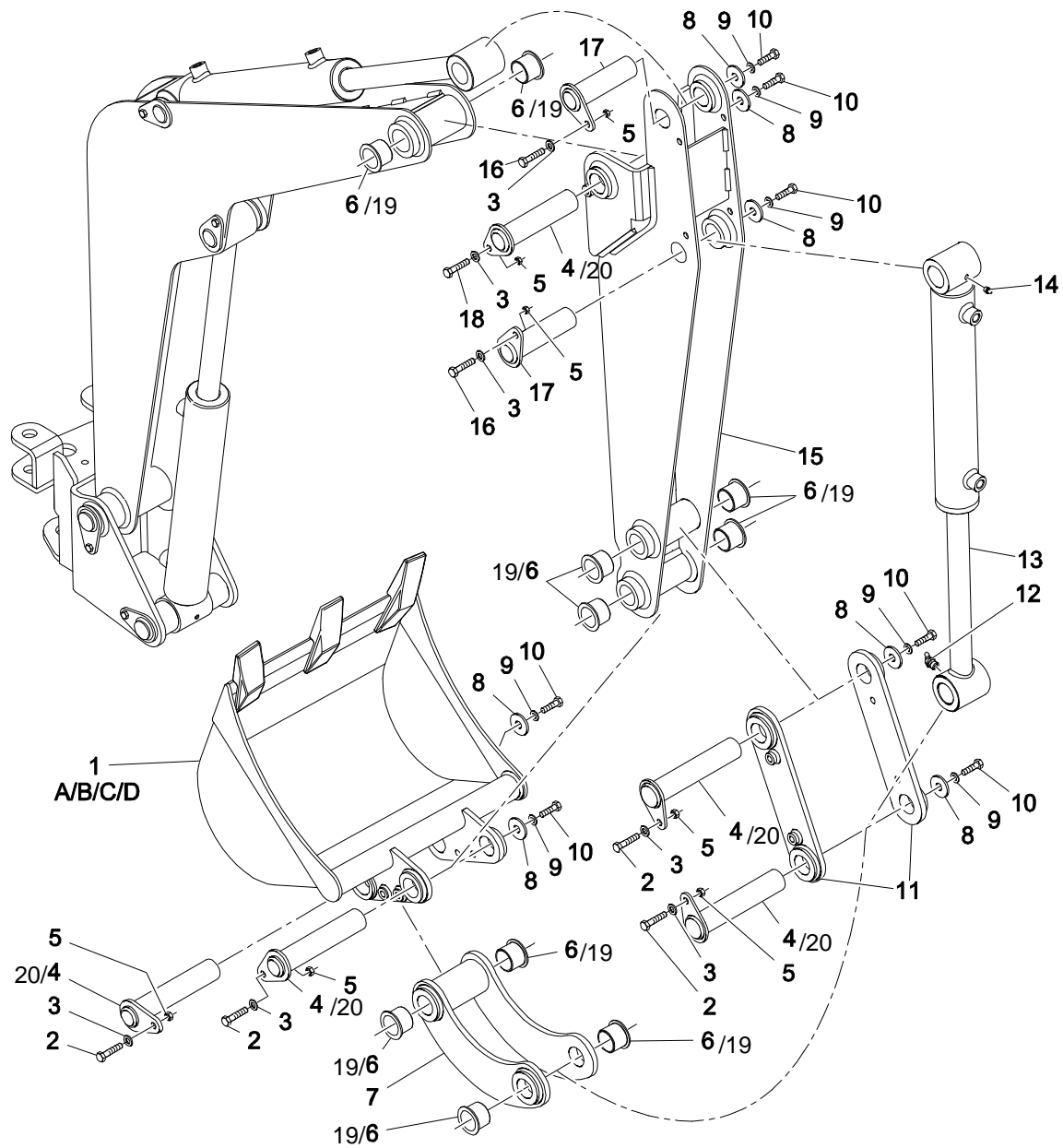
TAB. 01		TELAIO - FRAME CHASSIS - RAHMEN				
REF.	Q.	COD.	DESCRIZIONE (IT)	DESCRIPTION (EN)	DESCRIPTION (FR)	BENENNUNG (DE)
40	01	12350650	SEDILE COMPLETO ( <b>CON GUIDE</b> )	SEAT	SIEGE	SITZ
41	01	12350462	KIT GUIDE X SEDILE COMPACT (COPPIA)	SKID	SEMELLE	SCHLITTEN
42	01	15001120	PERNO A MOLLA D.12 ZINCATO	PIN	AXE	BOLZEN
43	04	19952122	VITE TCEI M6X20 ZN B. UNI 5931	SCREW	VIS	SCHRAUBE
44	04	19954253	DADO AUTOBL. M6 ZN BASSO DIN 985	NUT	ECROU	MUTTER
45	08	19955051	ROND.PIANA D.6X12X1,5 ZN.B. UNI6592	PLAIN WASHER	RONDELLE	SCHEIBE
46	02	19952749	VITE TE M12X35 ZN B. UNI 5739	SCREW	VIS	SCHRAUBE
47	02	19955013	ROND.PIANA D.12X36X3 ZN.B. UNI6593	PLAIN WASHER	RONDELLE	SCHEIBE
48	02	19955275	ROSETTA ELAS.D.12 ZB RINF DIN 128B	SPRING WASHER	RONDELLE ELASTIQUE	FEDERSCHREIBE
49	02	19954007	DADO ESAG. M12 ZN B. ALTO UNI 5587	NUT	ECROU	MUTTER
50	02	15085028	SPINA 8X70 PER RUOTE	PIN	GOUPILLE	STIFT
51	02	14660161	POMELLO D.12 X PIEDE D'APPOGGIO	KNOB	TIRETTE	KNOBGRIFF
52	02	15675094	GAMBA SUPPORTO ACCESSORI ALIEN 6.5	FOOT REST	PIED D'APPUI	STUTZFUSS
53	01	15002854	AD. COMANDI ESCAVATORE 243x71	STICKER	ADHÉSIF	AUFKLEBER
54	01	19952742	VITE TE M20x1,5x110 Z.B. UNI 5738	SCREW	VIS	SCHRAUBE
55	02	19941024	Nouvelles bagues bronze alvéolaire			

BRACCIO ANTERIORE — FRAME  
CHASSIS — RAHMEN

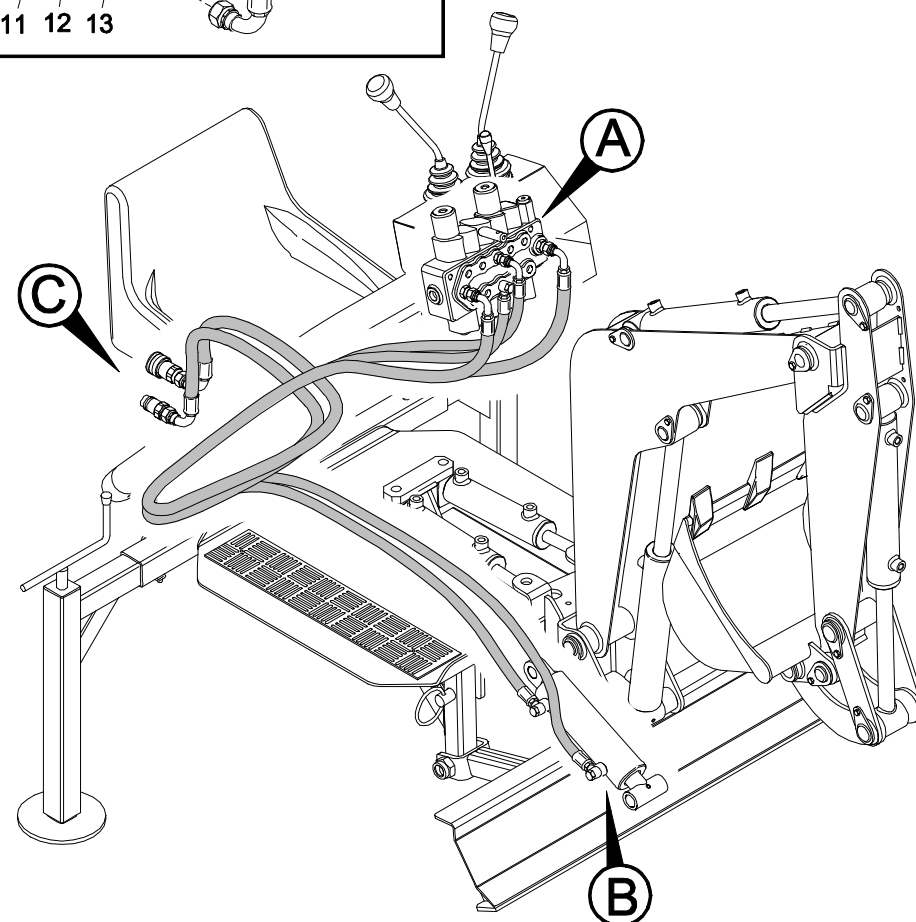
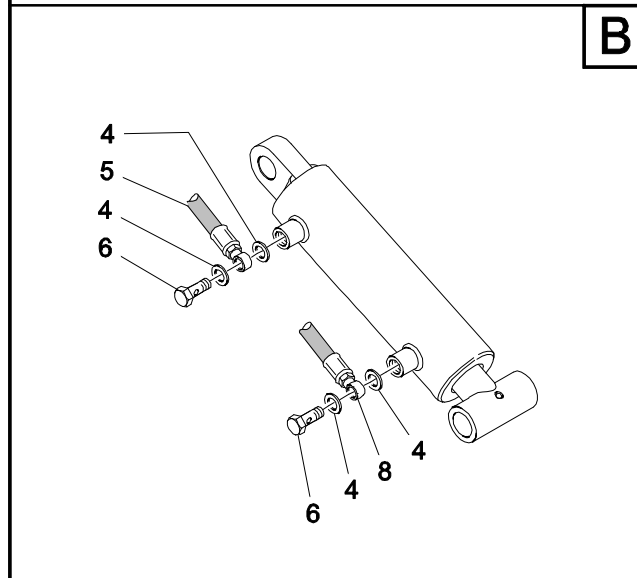
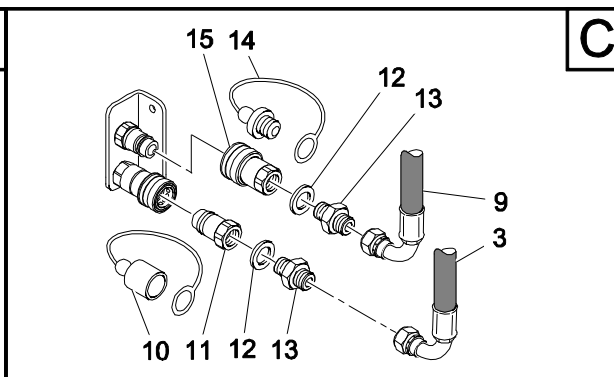
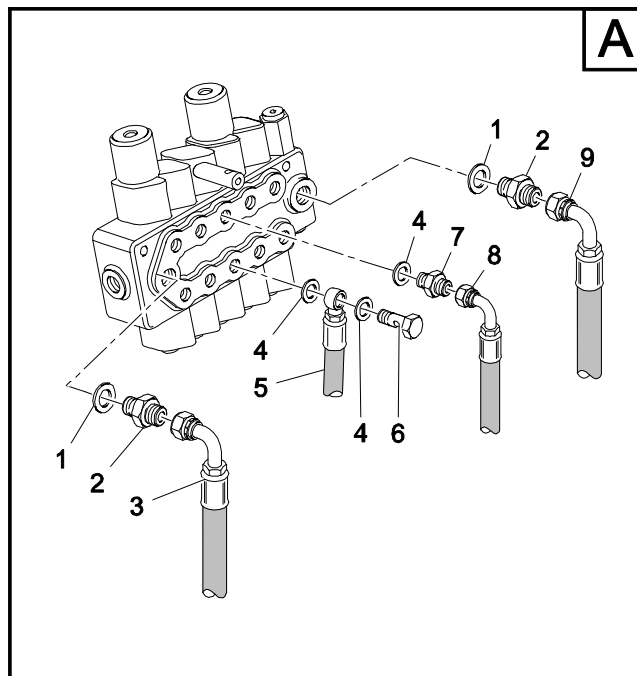


TAB. 02		BRACCIO ANTERIORE - FRONT ARM BRAS AVANT - ARM VORNE				
REF.	Q.	COD.	DESCRIZIONE (IT)	DESCRIPTION (EN)	DESCRIPTION (FR)	BENENNUNG (DE)
01	07	19956201	INGRASS. M6X1 DRITTO	GREASE NIPPLE	GRAISSEUR	SCHMIERNIPPLE
02	02	15685124	MARTINETTO X ROTAZIONE	PISTON	VERIN	ZYLINDERKOLBEN
03	02	19954054	DADO ESAG. M20x1,5 ZN BASSO UNI5589	NUT	ECROU	MUTTER
04	02	19952698	VITE TE M16X90 ZN B. UNI 5737	SCREW	VIS	SCHRAUBE
05	02	19955056	ROND.PIANA D.16X30X3 ZN.B. UNI6592	PLAIN WASHER	RONDELLE	SCHEIBE
06	02	15685131	VITE TE M20x1,5x80 ZN.B.	SCREW	VIS	SCHRAUBE
07	02	19955058	ROND.PIANA D.20X37X3 ZN.B. UNI6592	PLAIN WASHER	RONDELLE	SCHEIBE
08	01	15685103	FORCELLA DI SNODO ESCA. CM.130	FORK	FOURCHE	GABELSTUCK
09	02	19952608	VITE TE M8X35 ZN B. UNI 5737	SCREW	VIS	SCHRAUBE
10	05	19955052	ROND.PIANA D.8X16X1,5 ZN.B. UNI6592	PLAIN WASHER	RONDELLE	SCHEIBE
11	02	15675096	PERNO SNODO BRACCIO SOLLEVAT. L=158	PIN	AXE	BOLZEN
12	05	19954208	DADO AUTOBL. M8 ZN ALTO DIN 982	NUT	ECROU	MUTTER
13	05	19955021	ROND.PIANA D.10X40X2,5 ZB GREMBIUL.	PLAIN WASHER	RONDELLE	SCHEIBE
14	05	19955274	ROSETTA ELAS.D10 ZB. RINF. DIN 128B	SPRING WASHER	RONDELLE ELASTIQUE	FEDERSCHREIBE
15	05	19952716	VITE TE M10X16 ZN B. UNI 5739	SCREW	VIS	SCHRAUBE
16	01	19952729	VITE TE M8X25 ZN B. UNI 5739	SCREW	VIS	SCHRAUBE
17	01	15685106	PERNO SNODO ESCA. CM.130 L=143	PIN	AXE	BOLZEN
18	01	19956225	INGRASS. M6X1 90'	GREASE NIPPLE	GRAISSEUR	SCHMIERNIPPLE
19	02	15685108	MARTINETTO C=250 ESCAV. CM.130 F650	PISTON	VERIN	ZYLINDERKOLBEN
20	02	19903522	BOCCOLA FLANGIATA GFM-30-34-26	BUSH	DOUILLE	BÜCHSE
21	01	15685101	BRACCIO PRIMARIO ESCAV. CM.130	ARM	BRAS	ARM
22	02	15685107	PERNO SNODO CORTO ESCA. CM.130 L=87	PIN	AXE	BOLZEN
23	02	19952721	VITE TE M8X20 ZN B. UNI 5739	SCREW	VIS	SCHRAUBE
24	02	19941024	Nouvelles bagues bronze alvéolaire			
25	02	15685158	Nouveaux axes avec graisseur L=159			

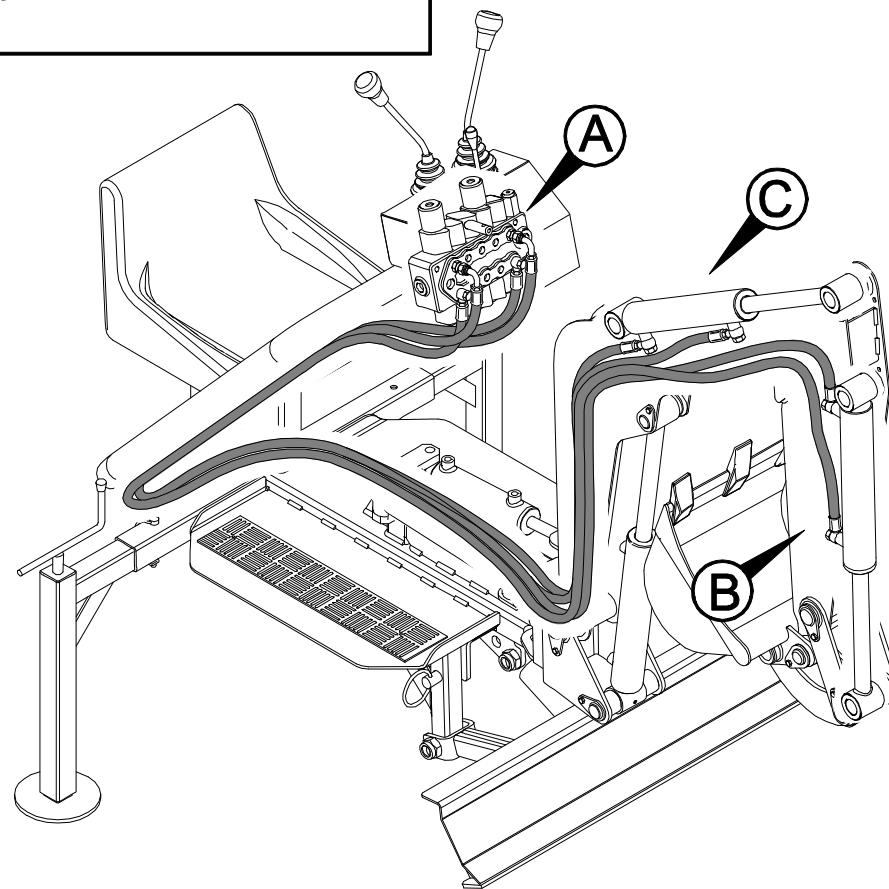
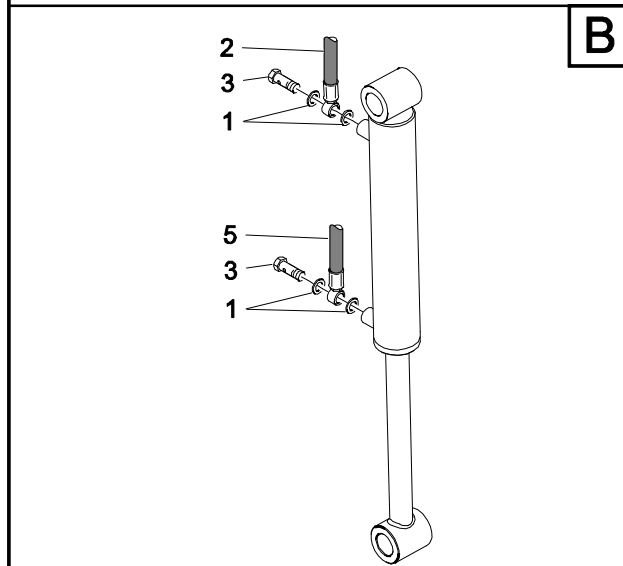
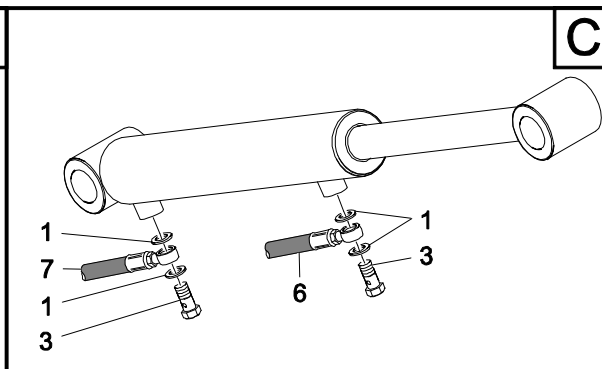
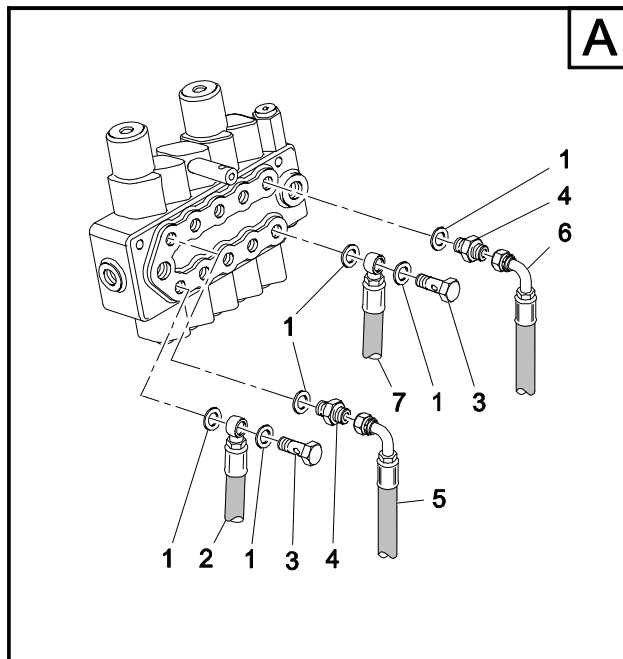
BRACCIO POSTERIORE — FRAME  
CHASSIS — RAHMEN



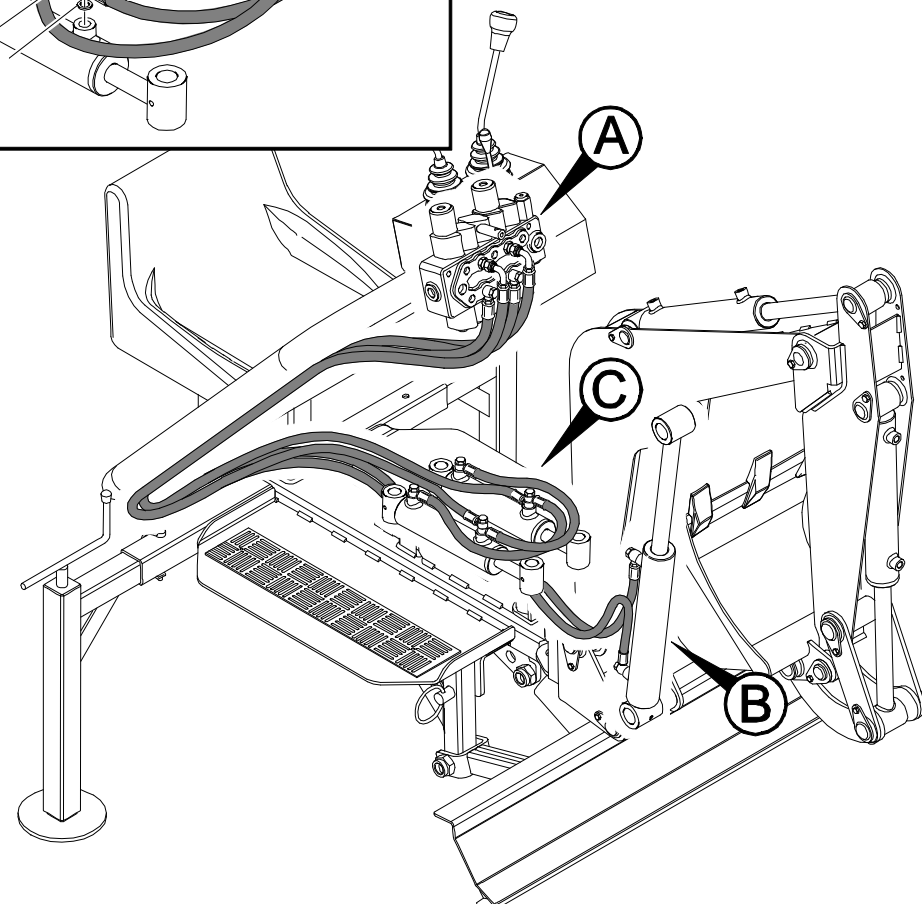
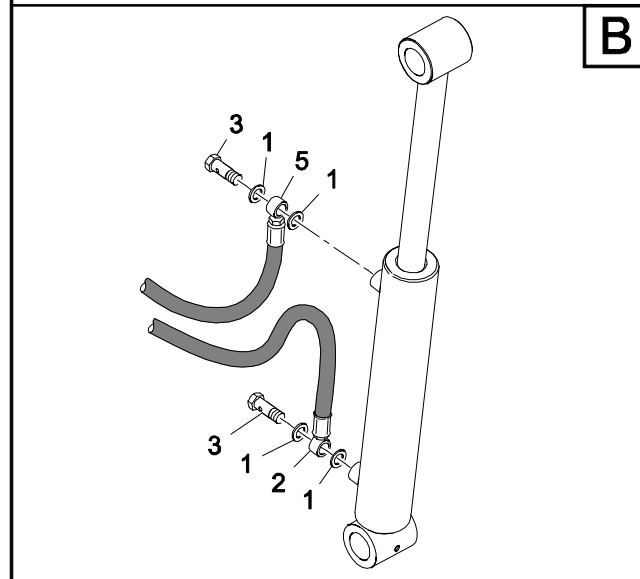
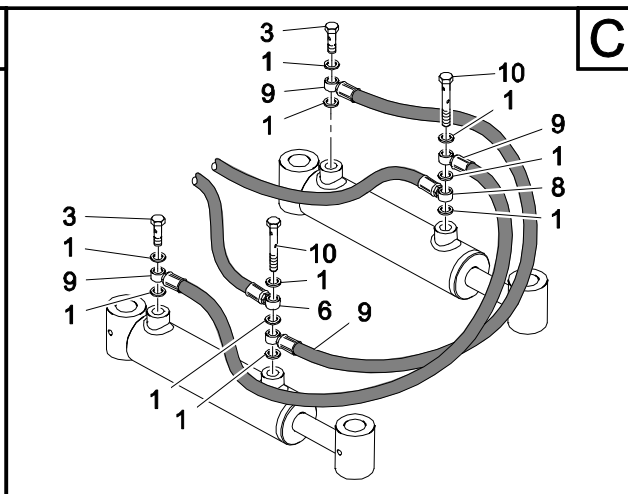
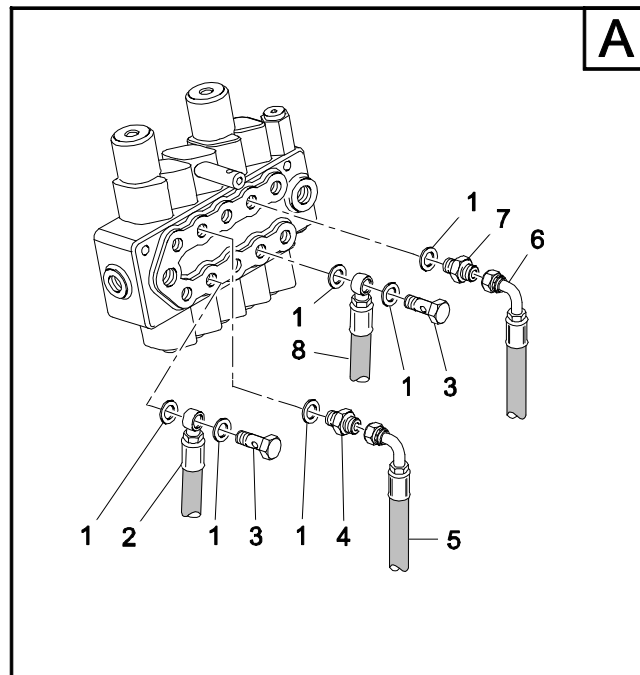
TAB. 03		BRACCIO POSTERIORE - REAR ARM BRAS ARRIÈRE - ARM HINTEN				
REF.	Q.	COD.	DESCRIZIONE (IT)	DESCRIPTION (EN)	DESCRIPTION (FR)	BENENNUNG (DE)
01A	01	15685113	BENNA CM.17,5 C/DENTI ESCAV. CM.130	BUCKET (17,5 Cm.)	BENNE (17,5 Cm.)	GREIFER (17,5 Cm.)
01B	01	15685116	BENNA CM.25 C/DENTI ESCAV. CM.130	BUCKET (25 Cm.)	BENNE (25 Cm.)	GREIFER (25 Cm.)
01C	01	15685118	BENNA CM.35 C/DENTI ESCAV. CM.130	BUCKET (35 Cm.)	BENNE (35 Cm.)	GREIFER (35 Cm.)
01D	01	15685117	BENNA CM.60 ESCAVAT. CM.130 F650	BUCKET (60 Cm.)	BENNE (60 Cm.)	GREIFER (60 Cm.)
02	04	19952737	VITE TE M8X30 ZN B. UNI 5739	SCREW	VIS	SCHRAUBE
03	07	19955052	ROND.PIANA D.8X16X1,5 ZN.B. UNI6592	PLAIN WASHER	RONDELLE	SCHEIBE
04	05	15675096	PERNO SNODO BRACCIO SOLLEVAT. L=158	PIN	AXE	BOLZEN
05	07	19954208	DADO AUTOBL. M8 ZN ALTO DIN 982	NUT	ECROU	MUTTER
06	10	19903522	BOCCOLA FLANGIATA GFM-30-34-26	BUSH	DOUILLE	BÜCHSE
07	01	15685105	SNODO X BENNA ESCAVAT. CM.130	SUPPORT	SUPPORT	HALTERUNG
08	07	19955021	ROND.PIANA D.10X40X2,5 ZB GREMBIUL.	PLAIN WASHER	RONDELLE	SCHEIBE
09	07	19955274	ROSETTA ELAS.D10 ZB. RINF. DIN 128B	SPRING WASHER	RONDELLE ELASTIQUE	FEDERSCHREIBE
10	07	19952716	VITE TE M10X16 ZN B. UNI 5739	SCREW	VIS	SCHRAUBE
11	02	15685114	LAMIERA X RINVIO ESCAV. CM.130	PLATE	PLAQUE	PLATTE
12	01	19956225	INGRASS. M6X1 90'	GREASE NIPPLE	GRAISSEUR	SCHMIERNIPPLE
13	01	15685108	MARTINETTO C=250 ESCAV. CM.130 F650	PISTON	VERIN	ZYLINDERKOLBEN
14	01	19956201	INGRASS. M6X1 DRITTO	GREASE NIPPLE	GRAISSEUR	SCHMIERNIPPLE
15	01	15685102	BRACCIO SECONDA. ESCAV. CM.130	ARM	BRAS	ARM
16	02	19952721	VITE TE M8X20 ZN B. UNI 5739	SCREW	VIS	SCHRAUBE
17	02	15685107	PERNO SNODO CORTO ESCA. CM.130 L=87	PIN	AXE	BOLZEN
18	01	19952608	VITE TE M8X35 ZN B. UNI 5737	SCREW	VIS	SCHRAUBE
19	10	19941024	Nouvelles bagues bronze alvéolaire			
20	05	15685158	Nouveaux axes avec graisseur L=159			



TAB. 04		IMPIANTO IDRAULICO - HYDRAULIC EQUIPMENT INSTALLATION HYDRAULIQUE - HYDRAULISCHE ANLAGE				
REF.	Q.	COD.	DESCRIZIONE (IT)	DESCRIPTION (EN)	DESCRIPTION (FR)	BENENNUNG (DE)
01	02	19957302	RONDELLA RAME 3/8' 17x23x1,5	PLAIN WASHER	RONDELLE	SCHEIBE
02	02	14661016	NIPPLES M/M 3/8'	JOINT	RACCORD	ANSCHLUßSTÜCK
03	01	1568801212	TUBO R1 3/8 F90 3/8+F90 1/2 L=1700	PIPE	TUYAN	ROHR
04	07	19957101	RONDELLA RAME 1/4' 13,5x19x1,5	PLAIN WASHER	RONDELLE	SCHEIBE
05	01	1568801201	TUBO R1 1/4 OC 1/4+OC 1/4 L=2050	PIPE	TUYAN	ROHR
06	03	14671013	VITE FORATA 1/4'	SCREW	VIS	SCHRAUBE
07	01	14661010	NIPPLES M/M 1/4'	JOINT	RACCORD	ANSCHLUßSTÜCK
08	01	1568801202	TUBO R1 1/4 F90 1/4+OC 1/4 L=2120	PIPE	TUYAN	ROHR
09	01	1568801213	TUBO R1 3/8 F90 3/8+F90 1/2 L=1850	PIPE	TUYAN	ROHR
10	01	1466104001	TAPPO PVC X INN. RAP. BIR M 1/2'	PLUG	BOUCHON	STOPFEN
11	01	14661040	INNESTO RAPIDO BIR M 1/2'	QUICK LINK	BRANCHEMENT	KUPPLUNG
12	02	19957303	RONDELLA RAME 1/2' 21,5x27x1,5	PLAIN WASHER	RONDELLE	SCHEIBE
13	02	14661013	NIPPLES M/M 1/2'	JOINT	RACCORD	ANSCHLUßSTÜCK
14	01	1466104501	TAPPO PVC X INN. RAP. BIR F 1/2'	PLUG	BOUCHON	STOPFEN
15	01	14661045	INNESTO RAPIDO BIR F 1/2'	QUICK LINK	BRANCHEMENT	KUPPLUNG



TAB. 05		<b>IMPIANTO IDRAULICO - HYDRAULIC EQUIPMENT</b> INSTALLATION HYDRAULIQUE - HYDRAULISCHE ANLAGE				
REF.	Q.	COD.	DESCRIZIONE (IT)	DESCRIPTION (EN)	DESCRIPTION (FR)	BENENNUNG (DE)
01	14	19957101	RONDELLA RAME 1/4' 13,5x19x1,5	PLAIN WASHER	RONDELLE	SCHEIBE
02	01	1568801207	TUBO R1 1/4 OC 1/4+OC 1/4 L=4100	PIPE	TUYAN	ROHR
03	06	14671013	VITE FORATA 1/4'	SCREW	VIS	SCHRAUBE
04	02	14661010	NIPPLES M/M 1/4'	JOINT	RACCORD	ANSCHLUßSTÜCK
05	01	1568801208	TUBO R1 1/4 F90 1/4+OC 1/4 L=4150	PIPE	TUYAN	ROHR
06	01	1568801205	TUBO R1 1/4 F90 1/4+OC 1/4 L=3460	PIPE	TUYAN	ROHR
07	01	1568801206	TUBO R1 1/4 OC 1/4+OC 1/4 L=3100	PIPE	TUYAN	ROHR



TAB. 06		IMPIANTO IDRAULICO - HYDRAULIC EQUIPMENT INSTALLATION HYDRAULIQUE - HYDRAULISCHE ANLAGE				
REF.	Q.	COD.	DESCRIZIONE (IT)	DESCRIPTION (EN)	DESCRIPTION (FR)	BENENNUNG (DE)
01	20	19957101	RONDELLA RAME 1/4' 13,5x19x1,5	PLAIN WASHER	RONDELLE	SCHEIBE
02	01	1568801204	TUBO R1 1/4 OC 1/4+OC 1/4 L=2600	PIPE	TUYAN	ROHR
03	06	14671013	VITE FORATA 1/4'	SCREW	VIS	SCHRAUBE
04	01	14661010	NIPPLES M/M 1/4'	JOINT	RACCORD	ANSCHLUßSTÜCK
05	01	1568801203	TUBO R1 1/4 F90 1/4+OC 1/4 L=2650	PIPE	TUYAN	ROHR
06	01	1568801209	TUBO R1 1/4 F90 1/4+OC 1/4 L=2050	PIPE	TUYAN	ROHR
07	01	14661028	NIPPLES M/M 1/4' FORO mm.1	JOINT	RACCORD	ANSCHLUßSTÜCK
08	01	1568801211	TUBO R1 1/4 OC 1/4+OC 1/4 L=2000	PIPE	TUYAN	ROHR
09	02	1568801210	TUBO R1 1/4 OC 1/4+OC 1/4 L=370	PIPE	TUYAN	ROHR
10	02	14671014	VITE FORATA DOPPIA 1/4'	SCREW	VIS	SCHRAUBE