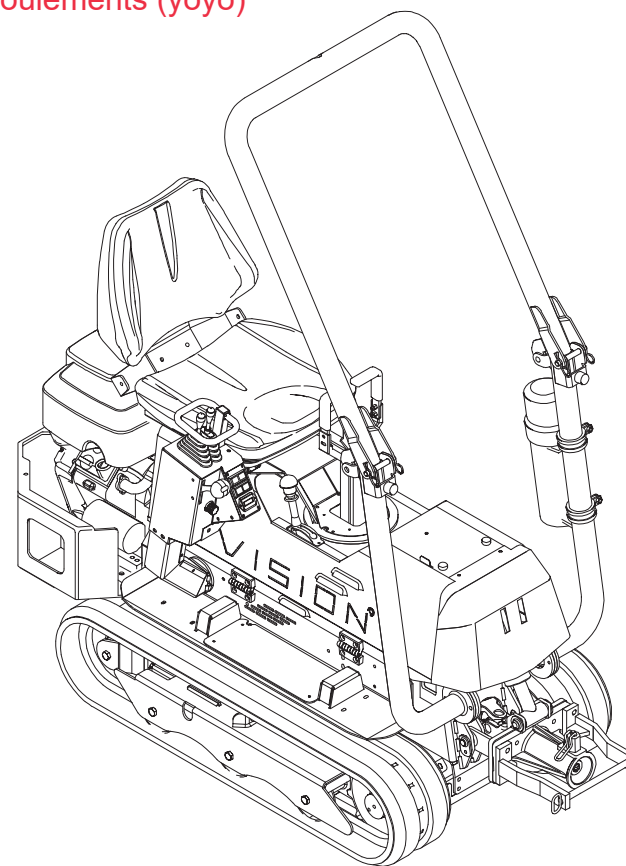


Mod. VISION AE DIGIT (Vers. '17-'18)
Cod. 11942823FT (Rev.01)

(DA / SINCE / DES / AB - MATR. / S.N. / Nr.) **600829** jusqu'au matricule 601095
à partir du matricule 601096 nouvelle roues à roulements (yoyo)

PARTI DI RICAMBIO
SPARE PARTS
PIECES DE RECHANGE
ERSATZTEILLISTE

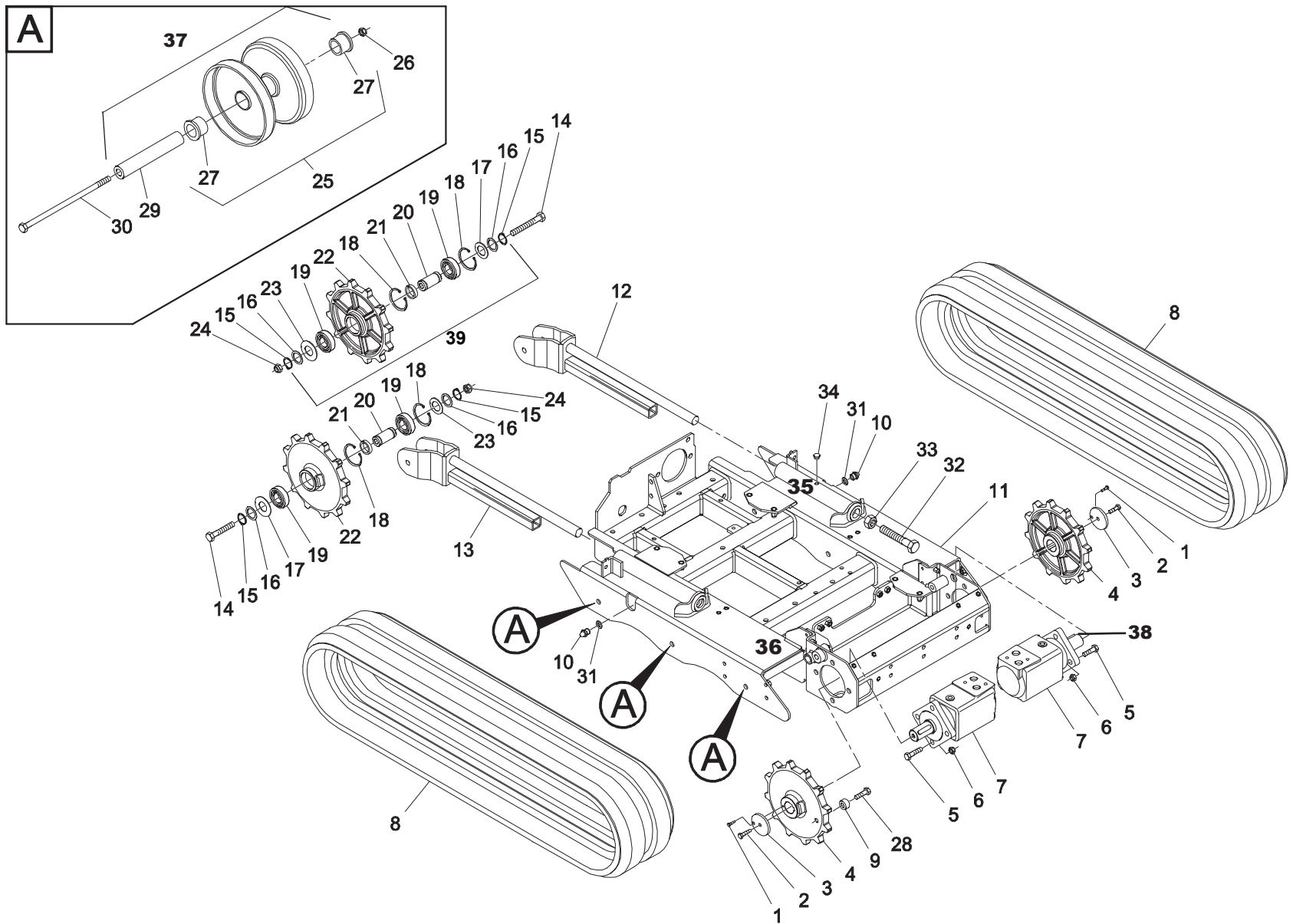


Mod. VISION AE DIGIT V5(VERS. '17 / '18)

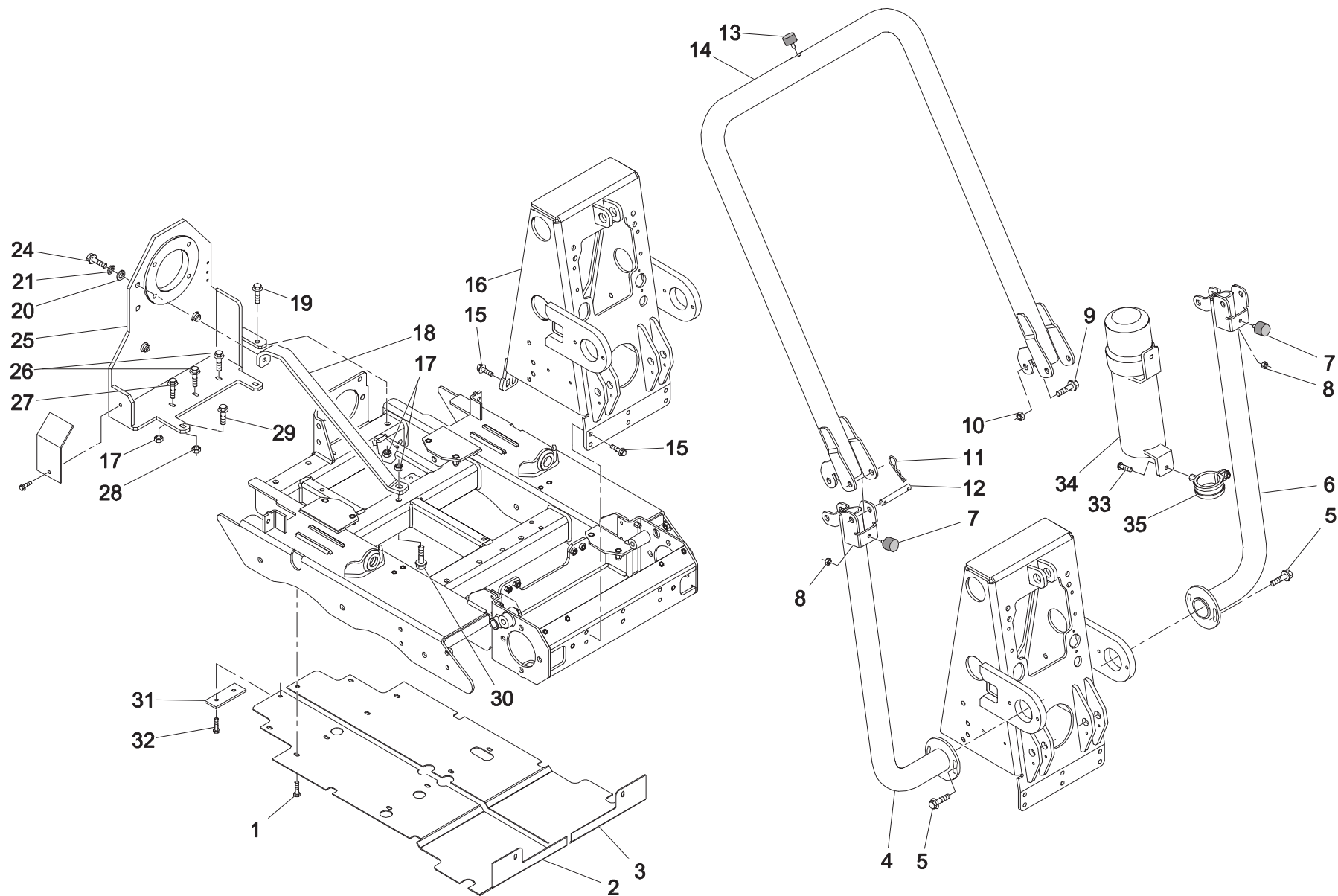
Cod. 11943823FT

Tab.	01	TELAIO	FRAME	CHASSIS	RAHMEN
Tab.	02	TELAIO	FRAME	CHASSIS	RAHMEN
Tab.	03	CARROZZERIA	FAIRING	CARENAGE	KAROSSERIE
Tab.	04	CARROZZERIA	FAIRING	CARENAGE	KAROSSERIE
Tab.	05	CARROZZERIA	FAIRING	CARENAGE	KAROSSERIE
Tab.	06	TRASMISSIONE	SHAFTING	TRANSMISSION	TRANSMISSION
Tab.	07	COMANDI	DRIVES	COMMANDES	ANTRIEBEN
Tab.	08	RADIATORE	RADIATOR	RADIATEUR	KUEHLER
Tab.	09A	PROTEZIONE	PROTECTION	PROTECTION	SCHUTZ
Tab.	09B	PROTEZIONE	PROTECTION	PROTECTION	SCHUTZ
Tab.	10	TRASMISSIONE	SHAFTING	TRANSMISSION	TRANSMISSION
Tab.	11	TRASMISSIONE	SHAFTING	TRANSMISSION	TRANSMISSION
Tab.	12	SERBATOIO	TANK	RESERVOIR	BEHÄLTER
Tab.	13	IMPIANTO IDRAULICO	HYDRAULIC EQUIPMENT	INSTALLATION HYDRAULIQUE	HYDRAULISCHE ANLAGE
Tab.	14	IMPIANTO IDRAULICO	HYDRAULIC EQUIPMENT	INSTALLATION HYDRAULIQUE	HYDRAULISCHE ANLAGE
Tab.	15	IMPIANTO IDRAULICO	HYDRAULIC EQUIPMENT	INSTALLATION HYDRAULIQUE	HYDRAULISCHE ANLAGE
Tab.	16	IMPIANTO IDRAULICO	HYDRAULIC EQUIPMENT	INSTALLATION HYDRAULIQUE	HYDRAULISCHE ANLAGE
Tab.	17	IMPIANTO IDRAULICO	HYDRAULIC EQUIPMENT	INSTALLATION HYDRAULIQUE	HYDRAULISCHE ANLAGE
Tab.	18	AVVIAM. ELETTR.	ELECTRICAL SYSTEM	INSTALLATION ELECTRIQUE	ELEKTRISCHE ANLAGE
Tab.	19	AVVIAM. ELETTR.	ELECTRICAL SYSTEM	INSTALLATION ELECTRIQUE	ELEKTRISCHE ANLAGE
Tab.	20	SOLLEVAMENTO	LIFTER	LEVAGE	HEBEN
Tab.	21	SOLLEVAMENTO 2 PUNTI	2 POINTS LIFTER	LEVAGE 2 POINTS	2 PUNKT HEBEN

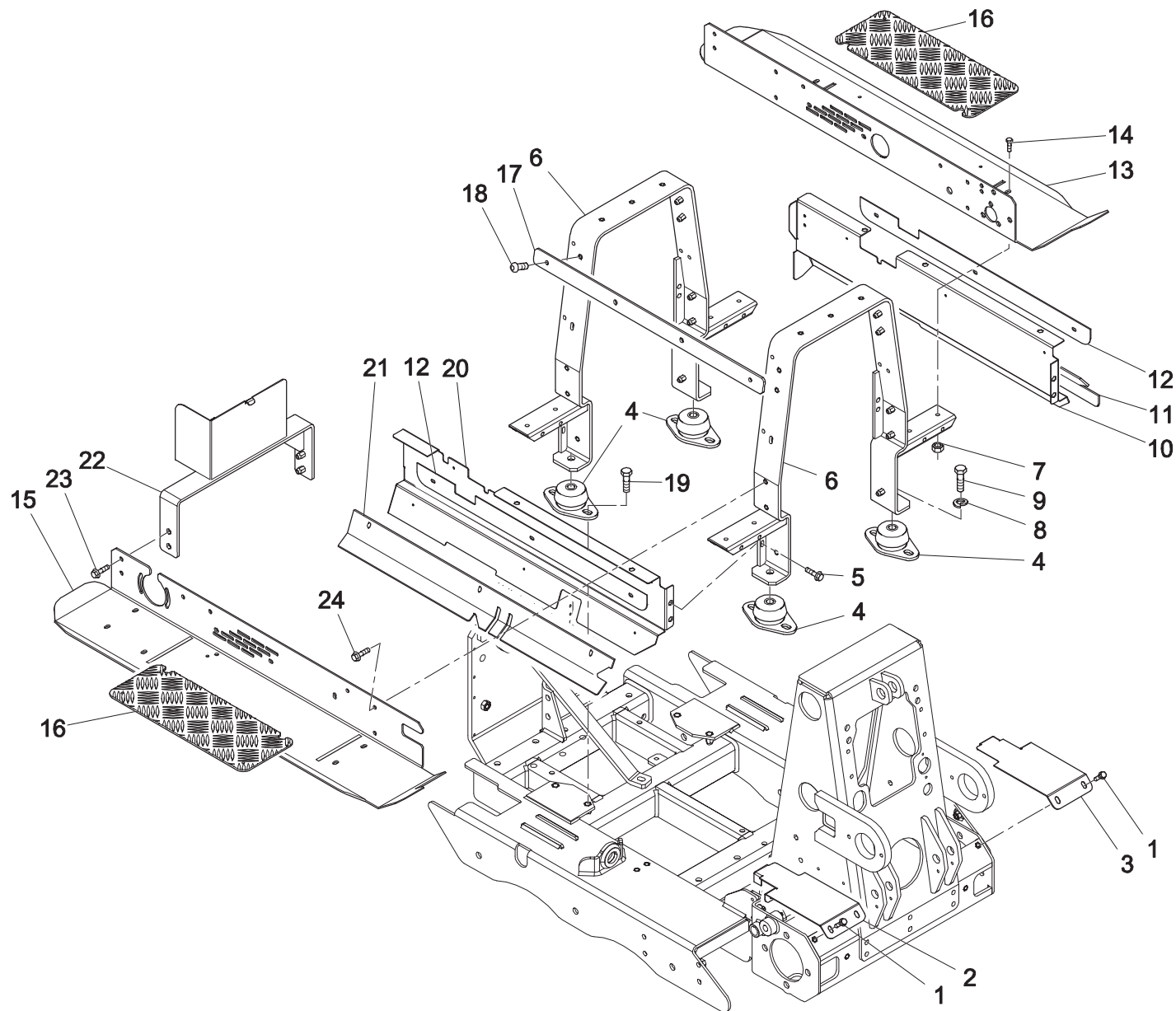
TAB 00		LISTE DE MODIFICATION ET MISE A JOUR				
DATA	TAB.	POS.	DESCRIPTION			
01/20	01	22	Traitement thermique des roues dentées tendues à partir du matricule 601138			
02/20	01	37	Roues (yoyo) avec roulements à partir du matricule 601096	"Ancienne version roue pleine	12339442"	
03/20	01	04	Traitement thermique des roues dentées motrices à partir du matricule 601164, idem sur	K65		
06/20	09	20	Kit filtre vortex réglable 1233943901			
09/20	01	22	Nouveau code "15945478" Roue dentée tendue complète (roulement, par poussière, circlip, etc...)			
09/20	01	37	Nouvelle roue avec roulement étanche (yoyo) à partir du matricule 601226	"15945422"		
../21	01	39	Remplacement des roues dentées tendues "15945478" par des roues tendues lisses	"15685093"		



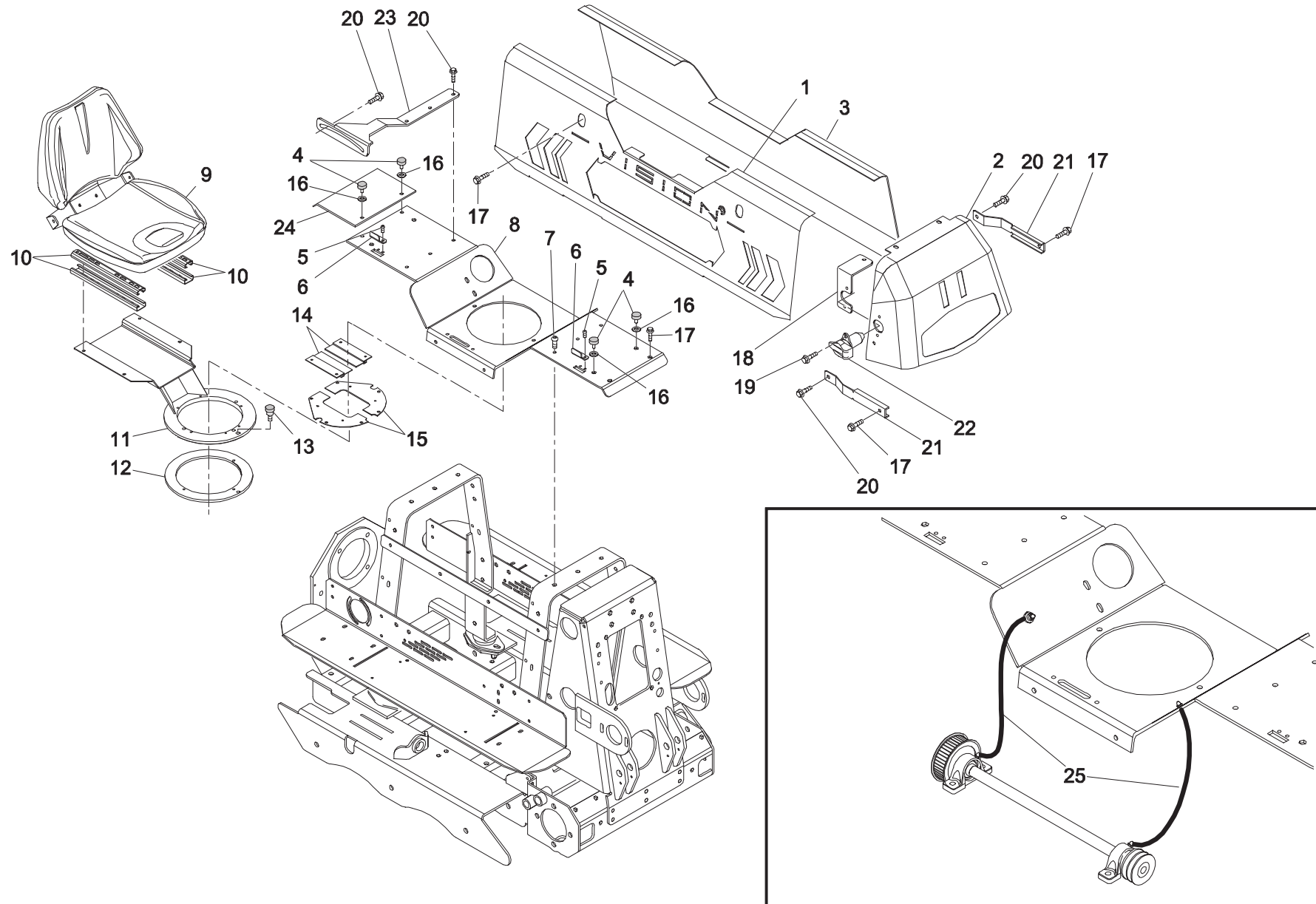
TAB. 01		TELAIO - FRAME CHASSIS - RAHMEN				
REF.	Q.	COD.	DESCRIZIONE (IT)	DESCRIPTION (EN)	DESCRIPTION (FR)	BENENNUNG (DE)
01	02	19951716	VITE TE M6X16 C/ROND. ZIGRIN. ZN B.	SCREW	VIS	SCHRAUBE
02	02	19951718	VITE TE M8X20 C/ROND. ZIGRIN. ZN B.	SCREW	VIS	SCHRAUBE
03	02	15675024	RONDELLA BLOCCAGGIO RUOTA MOTRICE	PLAIN WASHER	RONDELLE	SCHEIBE
04	02	15675012	RUOTA MOTRICE Z=12	DRIVEN WHEEL	ROUE MOTRICE	TREIBRAD
05	08	19952614	VITE TE M12X40 ZN B. UNI 5737	SCREW	VIS	SCHRAUBE
06	08	19954212	DADO AUTOBL. M12 ZN ALTO DIN 982	NUT	ECROU	MUTTER
07	02	1237006	MOTORE IDRAULICO MS200C VINCKE	HYDRAULIC ENGINE	MOTEUR HYDRAULIQUE	HYDRAULISCHE MOTOR
08	02	12329957	CINGOLO IN GOMMA 150X60X40	TRACK	CHENILLE	RAUPEN
09	02	15055093	DISTANZ. D.10,5X20X10	SPACER	ENTRETOISE	DISTANZSTÜCK
10	02	19956202	INGRASS. M8X1 DRITTO	GREASE NIPPLE	GRAISSEUR	SCHMIERNIPPLE
11	01	15945395	TELAIO CARRO VISION 2' VERS.	FRAME BODY	CHASSIS	GESTELL
12	01	15945389	SUPP. RUOTA TENDIC. S/MOLLA VISION	SPRING	RESSORT	FEDER
13	01	15945389	SUPP. RUOTA TENDIC. S/MOLLA VISION	SUPPORT	SUPPORT	HALTERUNG
14	02	19952658	VITE TE M12X90 ZN B. UNI 5737	SCREW	VIS	SCHRAUBE
15	04	19955525	ANELLO ELASTICO E25 UNI 7435	LOCKRING	ARRETOIR	SICHERUNGSRING
16	04	19956049	SPESSORE ACC. 25-41,5-1	SHIM	CALE D'EPAISSEUR	DISTANZSCHEIBE
17	02	15685019	PARAPOL. X RULLO ANTER. D.25X42X1,5	DUST PROTECTION	PARAPOUSSIÈRE	STAUBSCHUTZ
18	04	19955652	ANELLO ELASTICO I52 UNI 7437	LOCKRING	ARRETOIR	SICHERUNGSRING
19	04	19900327	CUSCIN. 6205-2RS SKF	BEARING	ROULEMENT	KUGELLAGER
20	02	15685003	DISTANZ. D.12,5xD.25x55	SPACER	ENTRETOISE	DISTANZSTÜCK
21	02	15535013	DISTANZ. D.25,7xD.33,7x8 ZB.	SPACER	ENTRETOISE	DISTANZSTÜCK
22	02	15945338	RUOTA TENDICINGOLO Z=12 X VISION	WHEEL Z=12	ROUE Z=12	RAD Z=12
23	02	15685018	PARAPOL. X RULLO ANTER. D.25X52X1,5	DUST PROTECTION	PARAPOUSSIÈRE	STAUBSCHUTZ
24	02	19954212	DADO AUTOBL. M12 ZN ALTO DIN 982	NUT	ECROU	MUTTER
25	06	15685065	RULLO D.115 C/BOCCOLE	ROLLER	GALET	ROLLE
26	04	19954212	DADO AUTOBL. M12 ZN ALTO DIN 982	NUT	ECROU	MUTTER
27	12	19941027	BOCCOLA AUTOL. SF-50 25x32X40X4X40	BUSH	DOUILLE	BÜCHSE
28	02	19952722	VITE TE M10X20 ZN B. UNI 5739	SCREW	VIS	SCHRAUBE
29	06	15675019	DISTANZ. D.12,5xD.25x131	SPACER	ENTRETOISE	DISTANZSTÜCK
30	06	19952680	VITE TE M12X160 ZN B. UNI 5737	SCREW	VIS	SCHRAUBE
31	02	19955052	ROND.PIANA D.8X16X1,5 ZN.B. UNI6592	PLAIN WASHER	RONDELLE	SCHEIBE
32	02	19952787	VITE TE M20X110 ZN B. UNI 5739	SCREW	VIS	SCHRAUBE
33	02	19954048	DADO ESAG. M20 ZN B. NORM. UNI 5588	NUT	ECROU	MUTTER
34	02	19922307	TAPPO IN PLASTICA D.7	PLUG	BOUCHON	STOPFEN
35	01	1594539501	Kit mise à niveau tube plein à souder (pour nouveau tendeur)			
36	01	1594539502	Kit renfort châssis Vision			
37	06	15945422	Nouveau yoyo avec roulement étanche à partir du matricule 601226			
38	02	CLAV-MS	Clavette arbre moteur hydraulique MS/MSY 10x8x45			
39	02	15945478	Kit roue tendeuse dentée complète			
39	02	15685093	Kit roue tendeuse lisse complète			



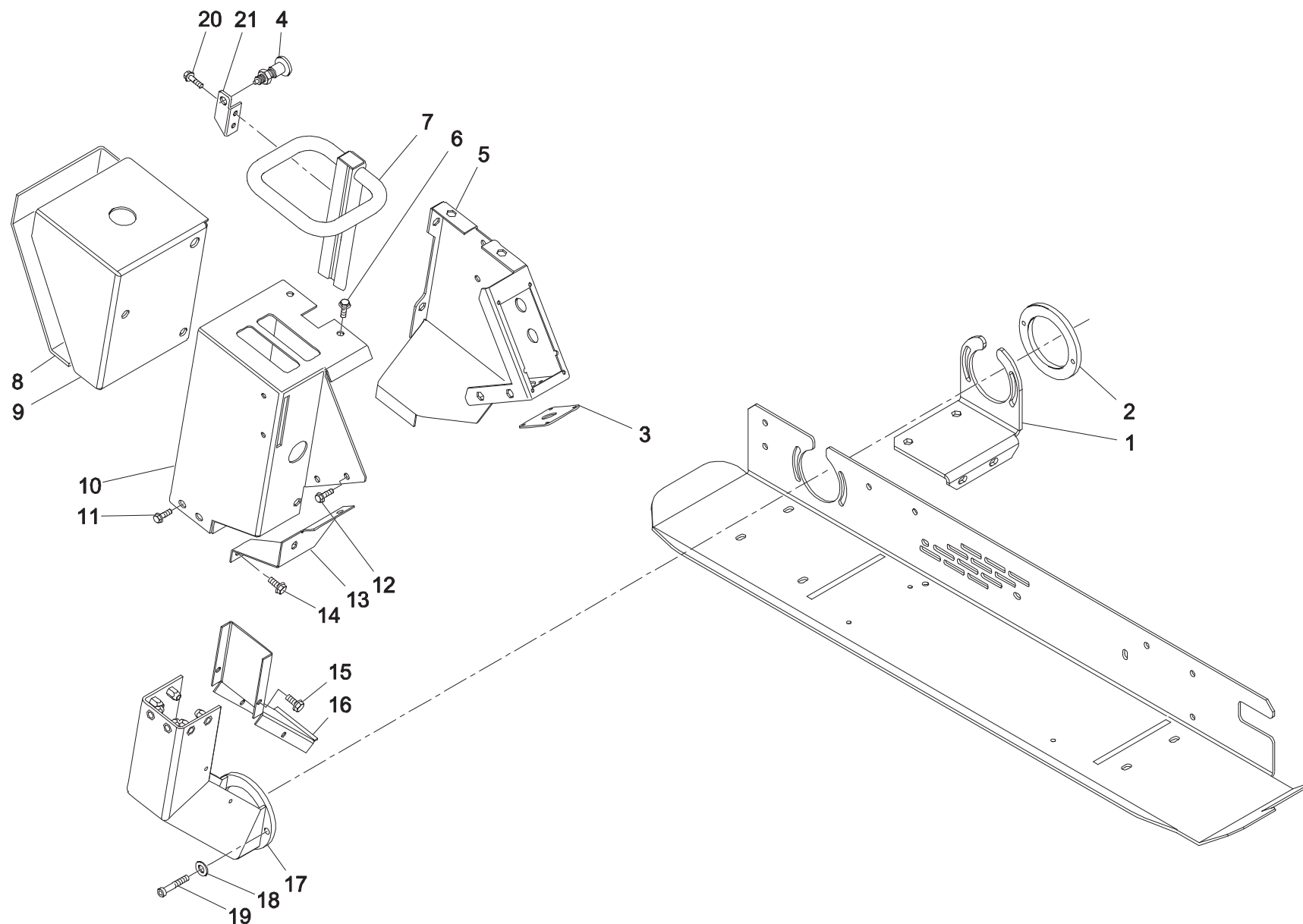
TAB. 02		TELAIO - FRAME CHASSIS - RAHMEN				
REF.	Q.	COD.	DESCRIZIONE (IT)	DESCRIPTION (EN)	DESCRIPTION (FR)	BENENNUNG (DE)
01	12	19951715	VITE TE M6X20 C/ROND. ZIGRIN. ZN B.	SCREW	VIS	SCHRAUBE
02	01	15945081	LAMIERA FONDO PIATTO DX VISION	PROTECTION	PROTECTION	SCHUTZ
03	01	15945170	LAMIERA FONDO PIATTO SX VISION	PROTECTION	PROTECTION	SCHUTZ
04	01	15945190	TUBO INF. DX PER ROLL BAR 2^ VERS.	SUPPORT	SUPPORT	HALTERUNG
05	04	19951718	VITE TE M8X20 C/ROND. ZIGRIN. ZN B.	SCREW	VIS	SCHRAUBE
06	01	15945191	TUBO INF. SX PER ROLL BAR 2^ VERS.	SUPPORT	SUPPORT	HALTERUNG
07	02	14680601	PARACOLPI GOMMA C/PIEDE M6 D.20X7,5	SILENTBLOCK	SILENTBLOCK	SILENTBLOK
08	02	19954206	DADO AUTOBL. M6 ZN ALTO DIN 982	NUT	ECROU	MUTTER
09	02	19952651	VITE TE M12X70 ZN B. UNI 5737	SCREW	VIS	SCHRAUBE
10	02	19954212	DADO AUTOBL. M12 ZN ALTO DIN 982	NUT	ECROU	MUTTER
11	04	15001083	SPINA DI FERMO D.3 A 'R'	SPRING CLIP	GOUPILLE RAPIDE	VORSTECKER
12	02	15945078	PERNO SNODO ROLL BAR VISION	PIN	AXE	BOLZEN
13	01	no cod.	TAPPO	PLUG	BOUCHON	STOPFEN
14	01	15945076	TUBO SUP. PER ROLL BAR VISION	ROLL-BAR	ROLL-BAR	ROLL-BAR
15	10	19951717	VITE TE M8X25 C/ROND. ZIGRIN. ZN B.	SCREW	VIS	SCHRAUBE
16	01	15945025	SUPPORTO SOLLEVAMENTO VISION	SUPPORT	SUPPORT	HALTERUNG
17	05	19954255	DADO AUTOBL. M10 ZN BASSO DIN 985	NUT	ECROU	MUTTER
18	01	15945201	LAMIERA FISSAGGIO SUPP. MOTORE	SUPPORT	SUPPORT	HALTERUNG
19	01	19952660	VITE TE M10X80 ZN.B. UNI 5737	SCREW	VIS	SCHRAUBE
20	04	19955053	ROND.PIANA D.10X21X2 ZN.B. UNI6592	PLAIN WASHER	RONDELLE	SCHEIBE
21	04	19955274	ROSETTA ELAS.D10 ZB. RINF. DIN 128B	SPRING WASHER	RONDELLE ELASTIQUE	FEDERSCHREIBE
22	01	19952738	VITE TE M10X30 ZN B. UNI 5739	SCREW	VIS	SCHRAUBE
23	01	15945199	STAFFA RINFORZO SUPP. MOTORE	SUPPORT	SUPPORT	HALTERUNG
24	03	19952730	VITE TE M10X25 ZN B. UNI 5739	SCREW	VIS	SCHRAUBE
25	01	15945331	SUPPORTO MOTORE VISION 2' VERS.	SUPPORT	SUPPORT	HALTERUNG
26	02	19952660	VITE TE M10X80 ZN.B. UNI 5737	SCREW	VIS	SCHRAUBE
27	01	19952669	VITE TE M10X100 ZN B. UNI 5737	SCREW	VIS	SCHRAUBE
28	02	19953908	DADO ESAG. M8 C/ROND. ZN B.	NUT	ECROU	MUTTER
29	02	19952659	VITE TE M8X80 ZN B. UNI 5737	SCREW	VIS	SCHRAUBE
30	01	19952660	VITE TE M10X80 ZN.B. UNI 5737	SCREW	VIS	SCHRAUBE
31	01	15945328	STAFFA CONGIUNZIONE FONDO PIATTO	PLATE	PLAQUE	PLATTE
32	02	19951715	VITE TE M6X20 C/ROND. ZIGRIN. ZN B.	SCREW	VIS	SCHRAUBE
33	02	19952010	VITE TBEI M8X12 ZN B. UNI 7380	SCREW	VIS	SCHRAUBE
34	01	14641078	PORTADOCUMENTI CILINDRICO BIG	TOOL BOX	TROUSSE PORTEOUTILS	GERÄTETUI
35	02	14500054	COLLARE CON VITE PER TUBI D.50-55	STOP COLLAR	COLLIER DE TUYAU	BUND RING



TAB. 03		CARROZZERIA - FAIRING CARENAGE - KAROSSERIE				
REF.	Q.	COD.	DESCRIZIONE (IT)	DESCRIPTION (EN)	DESCRIPTION (FR)	BENENNUNG (DE)
01	06	19951716	VITE TE M6X16 C/ROND. ZIGRIN. ZN B.	SCREW	VIS	SCHRAUBE
02	01	15945091	LAMIERA PROT. SUP. DX MOTORE VISION	GUARD	PROTECTION	SCHUTZ
03	01	15945092	LAMIERA PROT. SUP. SX MOTORE VISION	GUARD	PROTECTION	SCHUTZ
04	04	14680418	SILENTBLOCK M12xH.31 70 shore	SILENTBLOCK	SILENTBLOCK	SILENTBLOCK
05	04	19951715	VITE TE M6X20 C/ROND. ZIGRIN. ZN B.	SCREW	VIS	SCHRAUBE
06	02	15945013	SUPPORTO ANT. COFANO VISION	SUPPORT	SUPPORT	HALTERUNG
07	08	19954253	DADO AUTOBL. M6 ZN BASSO DIN 985	NUT	ECROU	MUTTER
08	04	19955275	ROSETTA ELAS.D.12 ZB RINF DIN 128B	SPRING WASHER	RONDELLE ELASTIQUE	FEDERSCHREIBE
09	04	19952739	VITE TE M12X30 ZN B. UNI 5739	SCREW	VIS	SCHRAUBE
10	01	15945093	PARAFANGO SX VISION	GUARD	PROTECTION	SCHUTZ
11	01	15945234	LAMIERA COPERTURA SX SOPRA PARAF.	GUARD	PROTECTION	SCHUTZ
12	02	15945241	LAMIERA PROTEZIONE FANGO DX-SX	GUARD	PROTECTION	SCHUTZ
13	01	15945178	PEDANA SX 2^ VERS.	FOOTBOARD	PLANCHER	TRITTBRETT
14	08	19951715	VITE TE M6X20 C/ROND. ZIGRIN. ZN B.	SCREW	VIS	SCHRAUBE
15	01	15945179	PEDANA DX 2^ VERS.	FOOTBOARD	PLANCHER	TRITTBRETT
16	02	15945155	BASE APPOGGIO PIEDI	SUPPORT	SUPPORT	HALTERUNG
17	01	15945023	PROFILO COLLEG. LAT VISION	ROD	TIGE	STANGE
18	02	19952328	VITE TPSEI M6X25 ZN B. UNI 5933	SCREW	VIS	SCHRAUBE
19	08	19951718	VITE TE M8X20 C/ROND. ZIGRIN. ZN B.	SCREW	VIS	SCHRAUBE
20	01	15945094	PARAFANGO DX VISION	GUARD	PROTECTION	SCHUTZ
21	01	15945235	LAMIERA COPERTURA DX SOPRA PARAF.	GUARD	PROTECTION	SCHUTZ
22	01	15945096	SUPPORTO BATTERIA VISION	SUPPORT	SUPPORT	HALTERUNG
23	04	19951715	VITE TE M6X20 C/ROND. ZIGRIN. ZN B.	SCREW	VIS	SCHRAUBE
24	08	19951715	VITE TE M6X20 C/ROND. ZIGRIN. ZN B.	SCREW	VIS	SCHRAUBE

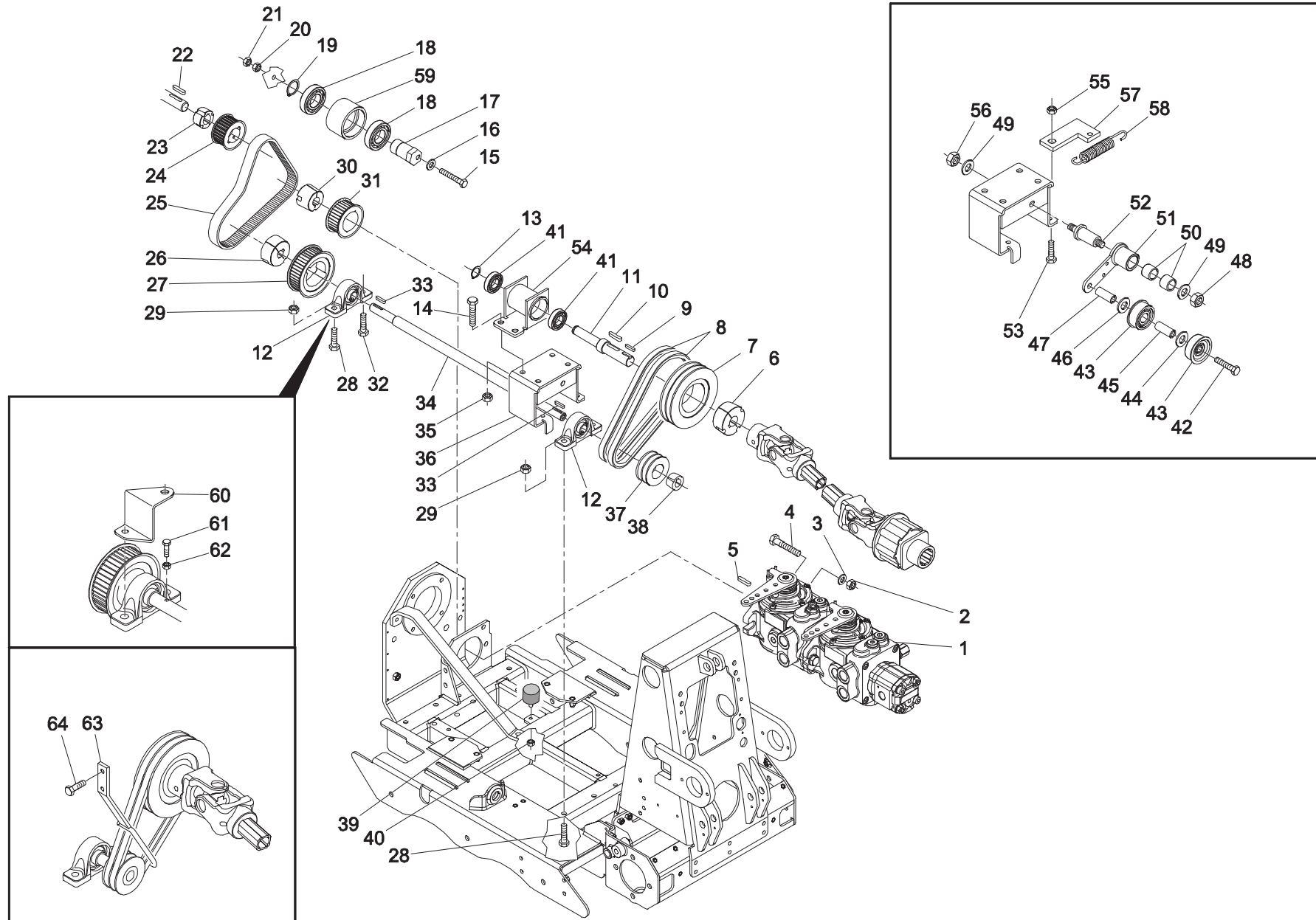


TAB. 04		CARROZZERIA - FAIRING CARENAGE - KAROSSERIE				
REF.	Q.	COD.	DESCRIZIONE (IT)	DESCRIPTION (EN)	DESCRIPTION (FR)	BENENNUNG (DE)
01	01	15945180	COFANO DX 2^ VERS.	BONNET	COFFRE	MOTORHAUBE
02	01	15945335	COFANO ANT. VISION FORT SMONTABILE	BONNET	COFFRE	MOTORHAUBE
03	01	15945181	COFANO SX 2^ VERS.	BONNET	COFFRE	MOTORHAUBE
04	04	14680601	PARACOLPI GOMMA C/PIEDE M6 D.20X7,5	SILENTBLOCK	SILENTBLOCK	SILENTBLOK
05	04	19957216	RIVETTI A STRAPPO 5X16	RIVET	RIVET	NIET
06	02	15945015	STAFFA BATTUTA SEDILE VISION	PLATE	PLAQUE	PLATTE
07	06	19951715	VITE TE M6X20 C/ROND. ZIGRIN. ZN B.	SCREW	VIS	SCHRAUBE
08	01	15945257	PIASTRA SUPP. SUPERIORE ACCORCIATA	PLATE	PLAQUE	PLATTE
09	01	12350468C	SEDILE COMPACT C/CINTURE C/MICRO	SEAT	SIEGE	SITZ
10	02	12350462	KIT GUIDE X SEDILE COMPACT (COPPIA)	SKID	SEMELLE	SCHLITTEN
11	01	15945007	SUPPORTO SEDILE ROTANTE VISION	SUPPORT	SUPPORT	HALTERUNG
12	01	15945009	FLANGIA SUPP. SEDILE VISION	FLANGE	BRIDE	FLANSCH
13	01	14660162	MINI PISTONC. A MOLLA GN.822-7-B-ST	KNOB	BOUTON	KNEBELGRIFF
14	02	15946001	SPAZZOLA+ PORTASPAZZOLA VISION	BRUSH	BALAIS	BÜRSTE
15	02	15945056	COPERTURA PORTA SETOLE VISION	PLATE	PLAQUE	PLATTE
16	04	19955007	ROND.PIANA D.6X18X1,5 ZN.B. UNI6592	PLAIN WASHER	RONDELLE	SCHEIBE
17	12	19951716	VITE TE M6X16 C/ROND. ZIGRIN. ZN B.	SCREW	VIS	SCHRAUBE
18	01	15945245	STAFFA FIX. PRESA/RELE' USCITA AUX	PLATE	PLAQUE	PLATTE
19	02	19951714	VITE TE M5X12 C/ROND. ZIGRIN. ZN B.	SCREW	VIS	SCHRAUBE
20	06	19951715	VITE TE M6X20 C/ROND. ZIGRIN. ZN B.	SCREW	VIS	SCHRAUBE
21	02	15945336	STAFFA SOSTEGNO MUSETTO SMONTABILE	SUPPORT	SUPPORT	HALTERUNG
22	01	14670045	GIUNTO A TRE POLI FEMMINA	PIN	CHEVILLE	STIFT
23	01	15945354	PIASTRA RINFORZO SUPPORTO COMANDI	SUPPORT	SUPPORT	HALTERUNG
24	01	15945258	PIASTRA COPRIBATTERIA	PLATE	PLAQUE	PLATTE
25	01	15948015	KIT INGRASSAGGIO	GREASE NIPPLE (KIT)	GRAISSEUR (KIT)	SCHMIERNIPPLE (KIT)



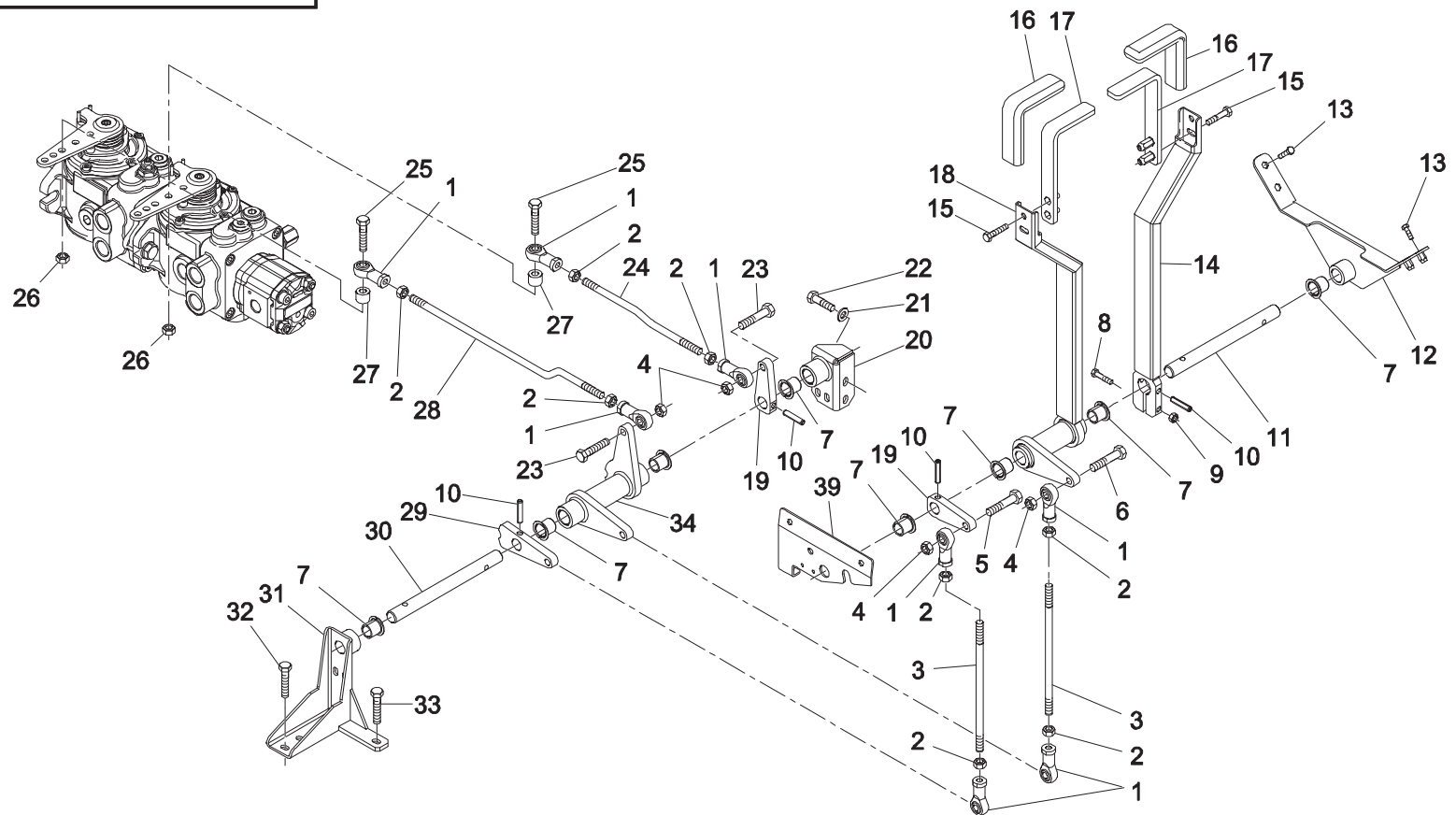
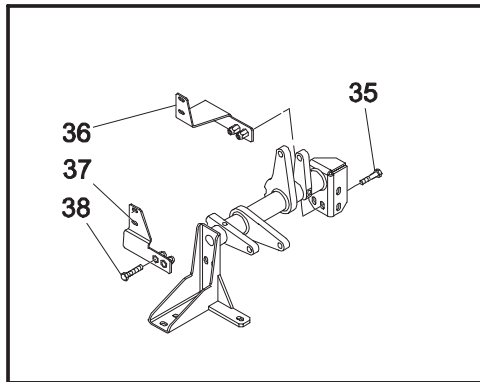
TAB. 05		CARROZZERIA - FAIRING CARENAGE - KAROSSERIE				
REF.	Q.	COD.	DESCRIZIONE (IT)	DESCRIPTION (EN)	DESCRIPTION (FR)	BENENNUNG (DE)
01	01	15945057	STAFFA RINF.BRACCIO CRUSCOT.VISION	SUPPORT	SUPPORT	HALTERUNG
02	01	15945016	FLANGIA FISS.SUPP. CRUSCOTTO VISION	FLANGE	BRIDE	FLANSCH
03	01	15945115	PIASTRINA ADATT. BLOCCH. CHIAVE	COVER	COUVERCLE	DECKEL
04	01	14660147	PISTONCINO POS. MOLLA GN.881-5-8-CK	KNOB	BOUTON	KNEBELGRIFF
05	01	15945108	GUSCIO INT. CRUSCOTTO VISION	COVER	COUVERCLE	DECKEL
06	02	19951716	VITE TE M6X16 C/ROND. ZIGRIN. ZN B.	SCREW	VIS	SCHRAUBE
07	01	15945110	SOSTEGNO ANELLO CRUSCOTTO	SUPPORT	SUPPORT	HALTERUNG
08	01	15945176	COPERCHIO SCATOLA X PULSANTE EMERG.	COVER	COUVERCLE	DECKEL
09	01	15945175	SCATOLA PER PULSANTE EMERGENZA	COVER	COUVERCLE	DECKEL
10	01	15945107	SUPPORTO CRUSCOTTO DISTR. VISION	SUPPORT	SUPPORT	HALTERUNG
11	13	19951716	VITE TE M6X16 C/ROND. ZIGRIN. ZN B.	SCREW	VIS	SCHRAUBE
12	02	19951716	VITE TE M6X16 C/ROND. ZIGRIN. ZN B.	SCREW	VIS	SCHRAUBE
13	01	15945109	LAMIERA CHIUSURA CRUSCOTTO VISION	COVER	COUVERCLE	DECKEL
14	03	19951716	VITE TE M6X16 C/ROND. ZIGRIN. ZN B.	SCREW	VIS	SCHRAUBE
15	04	19951714	VITE TE M5X12 C/ROND. ZIGRIN. ZN B.	SCREW	VIS	SCHRAUBE
16	01	15945017	COPERTURA TUBO CRUSCOTTO VISION	COVER	COUVERCLE	DECKEL
17	01	15945004	SUPPORTO CRUSCOTTO VISION	COVER	COUVERCLE	DECKEL
18	02	19955257	ROSETTA ELAS.D.6 RINFORZ. DIN 127/B	SPRING WASHER	RONDELLE ELASTIQUE	FEDERSCHREIBE
19	02	19952224	VITE TCEI M6X25 UNI 5931	SCREW	VIS	SCHRAUBE
20	02	19951715	VITE TE M6X20 C/ROND. ZIGRIN. ZN B.	SCREW	VIS	SCHRAUBE
21	01	15945242	STAFFA SOSTEGNO BLOCC. DISTRIBUTORE	SUPPORT	SUPPORT	HALTERUNG

TRASMISSIONE — SHAFTING
TRANSMISSION — TRANSMISSION

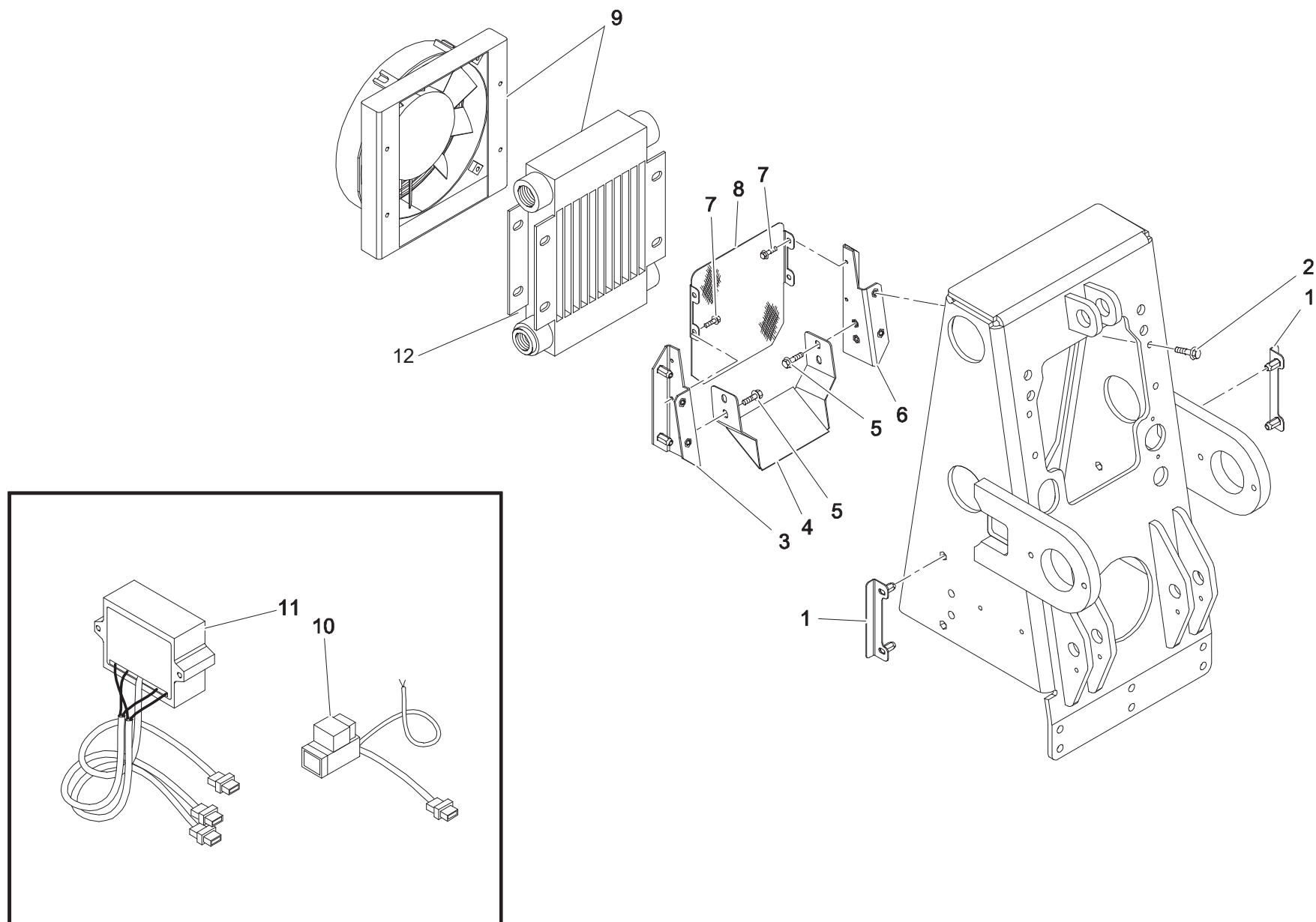


TAB. 06		TRASMISSIONE - SHAFTING TRANSMISSION - TRANSMISSION				
REF.	Q.	COD.	DESCRIZIONE (IT)	DESCRIPTION (EN)	DESCRIPTION (FR)	BENENNUNG (DE)
01	01	12353022	POMPA PORT VAR.TANDEM 10+10+1.4 CM3	PUMP	POMPE	PUMPE
02	02	19954255	DADO AUTOBL. M10 ZN BASSO DIN 985	NUT	ECROU	MUTTER
03	02	19955053	ROND.PIANA D.10X21X2 ZN.B. UNI6592	PLAIN WASHER	RONDELLE	SCHEIBE
04	02	19952134	VITE TCEI M10X30 ZN B. UNI 5931	SCREW	VIS	SCHRAUBE
05	01	1235302201	LINGUETTA X POMPA TANDEM VISION	SPLINE	CLAVETTE	KEIL
06	01	19970010	BUSSOLA TAPER LOCK 2012 FORO 25	BUSH	DOUILLE	BÜCHSE
07	01	19970011	PULEGGIA SPA 140 2 GOLE X BUSS.2012	PULLEY	POULIE	RIEMENSCHLEIBE
08	02	14681059	CINGHIA X13x716 (6T6K)	BELT	COURROIE	RIEMEN
09	01	19956335	LINGUETTA 8X7X35 UNI 6604	SPLINE	CLAVETTE	KEIL
10	01	19956330	LINGUETTA 8X7X30 UNI 6604	SPLINE	CLAVETTE	KEIL
11	01	15945028	ALBERO D.20-25 PULEGGIA VISION	SHAFT	ARBRE	WELLE
12	02	19904006	SUPPORTO UCP 204 2F	SUPPORT	SUPPORT	HALTERUNG
13	01	19955520	ANELLO ELASTICO E20 UNI 7435	LOCKRING	ARRETOIR	SICHERUNGSRING
14	04	19951722	VITE TE M12X30 C/ROND. ZIGRIN. ZN B	SCREW	VIS	SCHRAUBE
15	01	19952675	VITE TE M12X110 UNI 5737	SCREW	VIS	SCHRAUBE
16	01	19955275	ROSETTA ELAS.D.12 ZB RINF DIN 128B	SPRING WASHER	RONDELLE ELASTIQUE	FEDERSCHREIBE
17	01	15945029	ECCENTRICO TENDICINGHIA VISION	PIN	AXE	BOLZEN
18	02	19900236	CUSCIN. 6007 2RS SKF	BEARING	ROULEMENT	KUGELLAGER
19	01	19955535	ANELLO ELASTICO E35 UNI 7435	LOCKRING	ARRETOIR	SICHERUNGSRING
20	01	19954065	DADO ESAG. M12 ZN B. BASSO UNI 5589	NUT	ECROU	MUTTER
21	01	19954256	DADO AUTOBL. M12 ZN BASSO DIN 985	NUT	ECROU	MUTTER
22	01	19956419	LINGUETTA 6,3X6,3X43	SPLINE	CLAVETTE	KEIL
23	01	19970024	BUSSOLA TAPER LOCK 1210 FORO 25,4	BUSH	DOUILLE	BÜCHSE
24	01	19970027	PULEGGIA TB 28 8MDC 36 00ZA	PULLEY	POULIE	RIEMENSCHLEIBE
25	01	14681079	CINGHIA 800 8M-HP 36 EPDM	BELT	COURROIE	RIEMEN
26	01	19970007	BUSSOLA TAPER LOCK 2012 FORO 20	BUSH	DOUILLE	BÜCHSE
27	01	19970025	PULEGGIA TB 45 8MDC 36 00ZA	PULLEY	POULIE	RIEMENSCHLEIBE
28	03	19952665	VITE TE M10X90 ZN B. UNI 5737	SCREW	VIS	SCHRAUBE
29	04	19954255	DADO AUTOBL. M10 ZN BASSO DIN 985	NUT	ECROU	MUTTER
30	01	19970004	BUSSOLA TAPER LOCK 1615 FORO 22.2	BUSH	DOUILLE	BÜCHSE
31	01	19970026	PULEGGIA TB 32 8MDC 36 00ZA	PULLEY	POULIE	RIEMENSCHLEIBE
32	01	19952669	VITE TE M10X100 ZN B. UNI 5737	SCREW	VIS	SCHRAUBE
33	02	19956322	LINGUETTA 6X6X30 UNI 6604	SPLINE	CLAVETTE	KEIL
34	01	15945014	ALBERO TRASM.PRINCIPALE VISION	SHAFT	ARBRE	WELLE
35	04	19954212	DADO AUTOBL. M12 ZN ALTO DIN 982	NUT	ECROU	MUTTER
36	01	15945019	STAFFA SOSTEGNO SUPP.PTO VISION	SUPPORT	SUPPORT	HALTERUNG
37	01	19970012	PULEGGIA SPA 71 2 GOLE X BUSS.1108	PULLEY	POULIE	RIEMENSCHLEIBE
38	01	19970013	BUSSOLA TAPER LOCK 1108 FORO 20	BUSH	DOUILLE	BÜCHSE
39	01	14680603	PARACOLPI GOMMA C/PIEDE M6 D.25X20	SILENTBLOCK	SILENTBLOCK	SILENTBLOCK

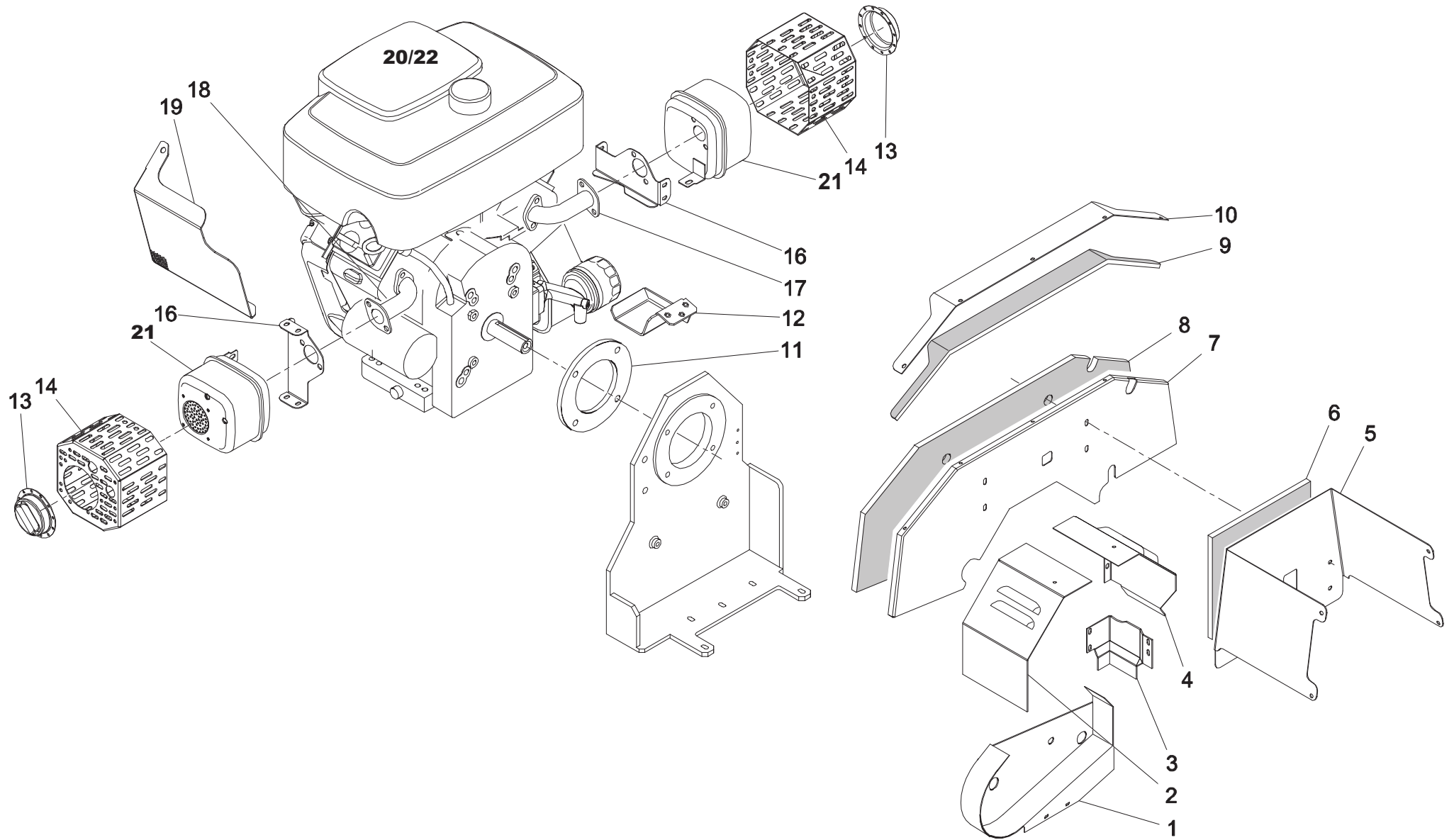
TAB. 06		TRASMISSIONE - SHAFTING TRANSMISSION - TRANSMISSION				
REF.	Q.	COD.	DESCRIZIONE (IT)	DESCRIPTION (EN)	DESCRIPTION (FR)	BENENNUNG (DE)
40	02	19954206	DADO AUTOBL. M6 ZN ALTO DIN 982	NUT	ECROU	MUTTER
41	02	19902322	CUSCIN. 6204 2RS	BEARING	ROULEMENT	KUGELLAGER
42	01	19952619	VITE TE M12X45 ZN B. UNI 5737	SCREW	VIS	SCHRAUBE
43	02	15486022	GALOPPINO TENDIC. D.54 A 1 LABBRO	PULLEY	POULIE	RIEMENSCHLEIBE
44	01	19956007	SPESSORE ACC. 12-20-0,5	SHIM	CALE D'EPAISSEUR	DISTANZSCHEIBE
45	01	15315105	DISTANZ. SP.10	SPACER	ENTRETOISE	DISTANZSTÜCK
46	01	19956010	SPESSORE ACC. 12-26-1	SHIM	CALE D'EPAISSEUR	DISTANZSCHEIBE
47	01	15315104	DISTANZ. SP.6	SPACER	ENTRETOISE	DISTANZSTÜCK
48	01	19954256	DADO AUTOBL. M12 ZN BASSO DIN 985	NUT	ECROU	MUTTER
49	02	19955013	ROND.PIANA D.12X36X3 ZN.B. UNI6593	PLAIN WASHER	RONDELLE	SCHEIBE
50	02	19941014	BRONZINA DU CB 2220 22X25X20	BUSH	DOUILLE	BÜCHSE
51	01	15945021	TENDITORE TRASM. PTO VISION	LEVER	LEVIER	HEBEL
52	01	15945032	PERNO FULCRO TENDICINGHIA VISION	PIN	AXE	BOLZEN
53	04	19951723	VITE TE M8X80 C/ROND. ZIGRIN. ZN B	SCREW	VIS	SCHRAUBE
54	01	15945342	MANICOTTO SUPPORTO PTO	SUPPORT	SUPPORT	HALTERUNG
55	04	19953908	DADO ESAG. M8 C/ROND. ZN B.	NUT	ECROU	MUTTER
56	01	19954212	DADO AUTOBL. M12 ZN ALTO DIN 982	NUT	ECROU	MUTTER
57	01	15945279	TENDITORE GALOPPINO PTO	PLATE	PLAQUE	PLATTE
58	01	15317048	MOLLA X RITORNO LEVE AVANZAMENTO	SPRING	RESSORT	FEDER
59	01	15945277	PULEGGIA TENDICINGHIA	PULLEY	POULIE	RIEMENSCHLEIBE
60	01	15945168	STAFFA SOST. SENSORE CONTAGIRI DIG.	SUPPORT	SUPPORT	HALTERUNG
61	01	19952714	VITE TE M6X16 ZN B. UNI 5739	SCREW	VIS	SCHRAUBE
62	01	19954043	DADO ESAG. M6 ZN B. NORM. UNI 5588	NUT	ECROU	MUTTER
63	01	15945157	STAFFA APPOGGIO CINGHIA TRAPEZ.	BELT DRIVE	GUIDE-COURROIE	RIEMENFÜHRUNG
64	02	19951715	VITE TE M6X20 C/ROND. ZIGRIN. ZN B.	SCREW	VIS	SCHRAUBE



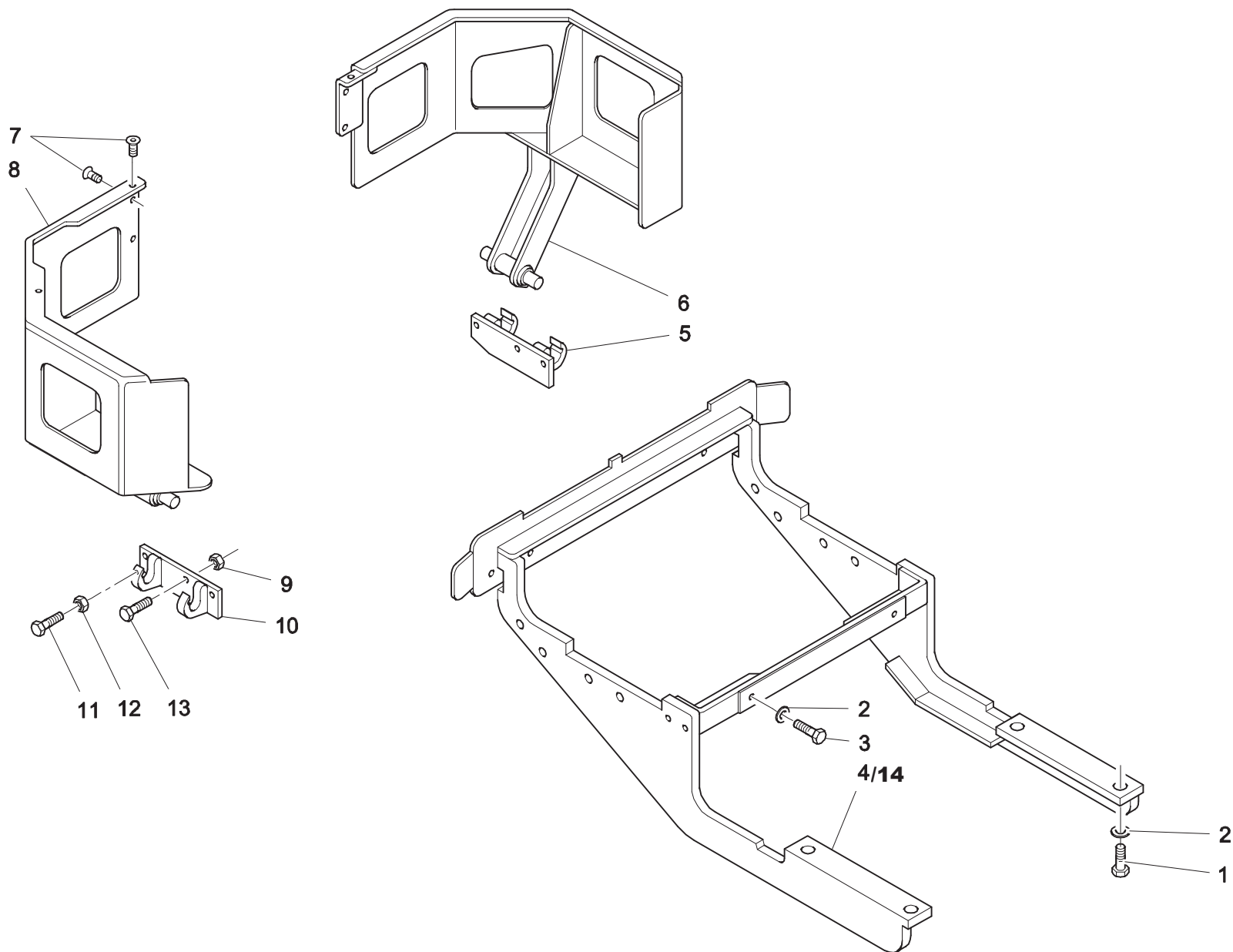
TAB. 07		COMANDI - DRIVES COMMANDES - ANTRIEBEN				
REF.	Q.	COD.	DESCRIZIONE (IT)	DESCRIPTION (EN)	DESCRIPTION (FR)	BENENNUNG (DE)
01	08	12360304	TESTA A SNODO JFT8R FEMM. M8x1,25	JOINT	RACCORD	ANSCHLUßSTÜCK
02	08	19954045	DADO ESAG. M8 ZN B. NORM. UNI 5588	NUT	ECROU	MUTTER
03	02	15945070	ASTA VERT. DX-SX VISION	ROD	TIGE	STANGE
04	04	19954254	DADO AUTOBL. M8 ZN BASSO DIN 985	NUT	ECROU	MUTTER
05	01	19952737	VITE TE M8X30 ZN B. UNI 5739	SCREW	VIS	SCHRAUBE
06	01	19952737	VITE TE M8X30 ZN B. UNI 5739	SCREW	VIS	SCHRAUBE
07	08	19941020	BOCCOLA AUTOL. PBF 1515-23T	BUSH	DOUILLE	BÜCHSE
08	01	19952746	VITE TE M6X35 ZN B. UNI 5739	SCREW	VIS	SCHRAUBE
09	01	19954206	DADO AUTOBL. M6 ZN ALTO DIN 982	NUT	ECROU	MUTTER
10	04	19955747	SPINA ELASTICA 6X30 SPIR. UNI 6875	ROLL PIN	GOUPILLE ELAST.	STIFT
11	01	15945065	PERNO SUPP. LEVA SX VISION	PIN	AXE	BOLZEN
12	01	15945061	STAFFA DX SOSTEGNO LEVERAGGI VISION	SUPPORT	SUPPORT	HALTERUNG
13	04	19951715	VITE TE M6X20 C/ROND. ZIGRIN. ZN B.	SCREW	VIS	SCHRAUBE
14	01	15945066	ATTACCO LEVA SX VISION	LEVER	LEVIER	HEBEL
15	04	19951716	VITE TE M6X16 C/ROND. ZIGRIN. ZN B.	SCREW	VIS	SCHRAUBE
16	02	5850-2	GOMMA X LEVA	GRIP	POIGNEE	GRIFF
17	02	15945040	MANIGLIA PIEGATA VISION	SUPPORT	SUPPORT	HALTERUNG
18	01	15945064	ASSE SUP. LEVA DX VISION	LEVER	LEVIER	HEBEL
19	02	15945067	LEVA RINVIO SX VISION	LEVER	LEVIER	HEBEL
20	01	15945062	STAFFA SX INF. SOSTEGNO LEVE VISION	SUPPORT	SUPPORT	HALTERUNG
21	02	19955051	ROND.PIANA D.6X12X1,5 ZN.B. UNI6592	PLAIN WASHER	RONDELLE	SCHEIBE
22	02	19951716	VITE TE M6X16 C/ROND. ZIGRIN. ZN B.	SCREW	VIS	SCHRAUBE
23	02	19952737	VITE TE M8X30 ZN B. UNI 5739	SCREW	VIS	SCHRAUBE
24	01	15945072	ASTA ORIZZ. SX VISION	ROD	TIGE	STANGE
25	02	19952612	VITE TE M8X40 ZN B. UNI 5737	SCREW	VIS	SCHRAUBE
26	02	19954208	DADO AUTOBL. M8 ZN ALTO DIN 982	NUT	ECROU	MUTTER
27	02	15405064	DISTANZ. D.8x14x12	SPACER	ENTRETOISE	DISTANZSTÜCK
28	01	15945071	ASTA ORIZZ. DX VISION	ROD	TIGE	STANGE
29	01	15945152	LEVA RINVIO SX CON CAMMA VISION	LEVER	LEVIER	HEBEL
30	01	15945069	PERNO INF. LEVA SX VISION	PIN	AXE	BOLZEN
31	01	15945063	STAFFA DX INF. SOSTEGNO LEVE VISION	SUPPORT	SUPPORT	HALTERUNG
32	02	19951715	VITE TE M6X20 C/ROND. ZIGRIN. ZN B.	SCREW	VIS	SCHRAUBE
33	01	19952665	VITE TE M10X90 ZN B. UNI 5737	SCREW	VIS	SCHRAUBE
34	01	15945068	ATTACCO INF. LEVA DX VISION	LEVER	LEVIER	HEBEL
35	02	19951716	VITE TE M6X16 C/ROND. ZIGRIN. ZN B.	SCREW	VIS	SCHRAUBE
36	01	15945154	LAMIERA SX SUPP. FINECORSA	SUPPORT	SUPPORT	HALTERUNG
37	01	15945153	LAMIERA DX SUPP. FINECORSA	SUPPORT	SUPPORT	HALTERUNG
38	02	19951716	VITE TE M6X16 C/ROND. ZIGRIN. ZN B.	SCREW	VIS	SCHRAUBE
39	01	15945054	STAFFA SOSTEGNO LEVA PTO VISION	SUPPORT	SUPPORT	HALTERUNG



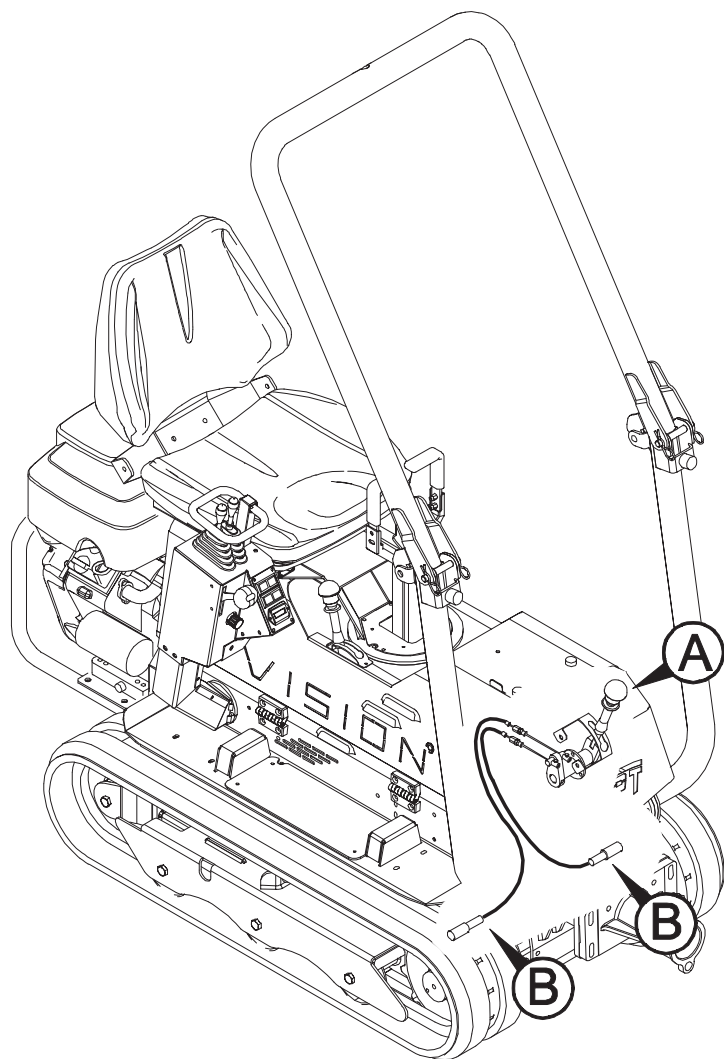
TAB. 08		RADIATORE - RADIATOR RADIATEUR - KUEHLER				
REF.	Q.	COD.	DESCRIZIONE (IT)	DESCRIPTION (EN)	DESCRIPTION (FR)	BENENNUNG (DE)
01	02	15945240	PROTEZIONE ANTIFANGO ANTERIORE	GUARD	PROTECTION	SCHUTZ
02	04	19951715	VITE TE M6X20 C/ROND. ZIGRIN. ZN B.	SCREW	VIS	SCHRAUBE
03	01	15945100	STAFFA FISS. DX SCAMBIATORE VISION	SUPPORT	SUPPORT	HALTERUNG
04	01	15945223	CHIUSURA INFERIORE SCAMBIATORE	GUARD	PROTECTION	SCHUTZ
05	04	19951716	VITE TE M6X16 C/ROND. ZIGRIN. ZN B.	SCREW	VIS	SCHRAUBE
06	01	15945099	STAFFA FISS. SX SCAMBIATORE VISION	SUPPORT	SUPPORT	HALTERUNG
07	04	19950201	VITE TE AUTOF.4,8X16 C/RON ZB U6950	SCREW	VIS	SCHRAUBE
08	01	15945038	GRIGLIA IN RETE X SCAMB. CALORE	GUARD	PROTECTION	SCHUTZ
09	01	12353025	SCAMBIATORE C/ELETTROV. D.190 GSR25	RADIATOR	RADIATEUR	KUEHLER
10	01	15948105	CABLAGGIO VENTIL. RAFFREDD. OLIO	DASHBOARD W/CABLE	TABLEAU ET CÂBLAGE	ARMATURENBRETT
11	01	14670041	CENTRALINA INV. ROTAZ. VENTIL. TEMP	CONTROL PANEL	CENTRALE	STEUERGEHÄUSE
12	01	1235302502	Radiateur pour réservoir hydraulique			



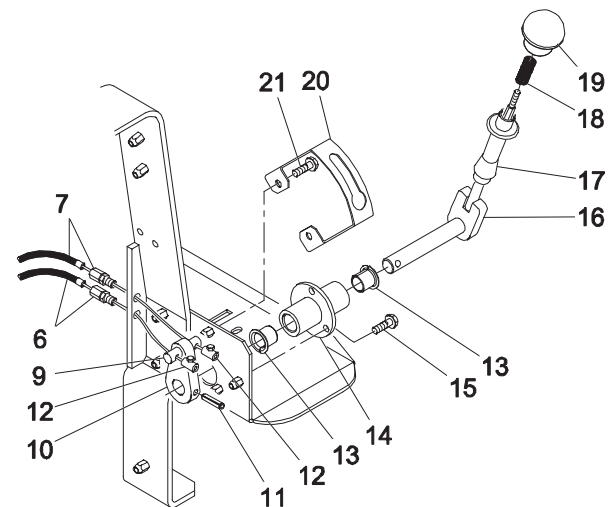
TAB. 09A		PROTEZIONI - PROTECTION PROTECTION - SCHUTZ				
REF.	Q.	COD.	DESCRIZIONE (IT)	DESCRIPTION (EN)	DESCRIPTION (FR)	BENENNUNG (DE)
01	01	15945341	PARATIA INTERNA INFERIORE CINGHIA	GUARD	PROTECTION	SCHUTZ
02	01	15945333	COPERTURA SIC. DX CINGHIA 2' VERS.	GUARD	PROTECTION	SCHUTZ
03	01	15945160	PROTEZIONE BULBO VANGUARD 16 HP	GUARD	PROTECTION	SCHUTZ
04	01	15945334	COPERTURA SIC. SX CINGHIA 2' VERS.	GUARD	PROTECTION	SCHUTZ
05	01	15945097	PROTEZIONE BATTERIA VISION	GUARD	PROTECTION	SCHUTZ
06	01	15946002	PROTEZIONE TERMICA BATTERIA VISION	THERMAL PROTECTION	PROTECTION THERMIQUE	KÄLTESCHUTZ
07	01	15945217	PROTEZIONE ANTICALORE X MOT. B&S	GUARD	PROTECTION	SCHUTZ
08	01	15946006	PROTEZIONE TERMICA X MOTORE	THERMAL PROTECTION	PROTECTION THERMIQUE	KÄLTESCHUTZ
09	01	15946007	PROTEZIONE TERMICA SUP.	THERMAL PROTECTION	PROTECTION THERMIQUE	KÄLTESCHUTZ
10	01	15945222	BORDO SUPERIORE PROTEZIONE CALORE	GUARD	PROTECTION	SCHUTZ
11	01	15945088	FLANGIA ADATT. MOT. VANGUARD 16 HP	FLANGE	BRIDE	FLANSCH
12	01	15945210	LAMIERA PROTEZIONE FILTRO	GUARD	PROTECTION	SCHUTZ
13	02	1462182305	DEFLETTORE DI SCARICO X B&S	DEFLECTOR	DÉFLECTEUR	FLAP
14	02	15945231	PROTEZIONE MARMITTA B&S DX-SX	GUARD	PROTECTION	SCHUTZ
15	02	1462182304	SILENZIATORE DI SCARICO DX-SX X B&S	SILENCER	SILENCIEUX	SCHALLDÄMPFER
16	02	15945236	SOSTEGNO PROTEZ. MARMITTA	SUPPORT	SUPPORT	HALTERUNG
17	01	15945227	COLLETTORE SCARICO SX VISION	COLLECTOR	COLLECTEUR	SAMMLER
18	01	15945226	COLLETTORE SCARICO DX VISION	COLLECTOR	COLLECTEUR	SAMMLER
19	01	15945202	LAMIERA PROTEZIONE CAVI MOTORE	GUARD	PROTECTION	SCHUTZ
20	01	844727	Filtre à charbon			
21	02	15945496	Silencieux pot d'échappement. Remplace le code 1462182304.			
22	01	1233943901	Kit filtre vortex réglable avec fixations			



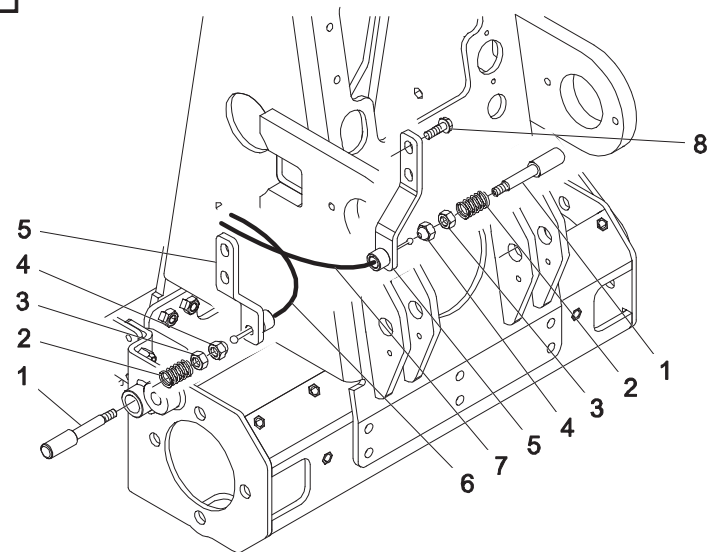
TAB. 09B		PROTEZIONI - PROTECTION PROTECTION - SCHUTZ				
REF.	Q.	COD.	DESCRIZIONE (IT)	DESCRIPTION (EN)	DESCRIPTION (FR)	BENENNUNG (DE)
01	04	19950011	VITE TE M10X40 ZN B. UNI 5739	SCREW	VIS	SCHRAUBE
02	06	19955410	DISCO ELASTICO D.10	SPRING WASHER	RONDELLE ELASTIQUE	FEDERSCHREIBE
03	02	19952738	VITE TE M10X30 ZN B. UNI 5739	SCREW	VIS	SCHRAUBE
04	01	15945211	SUPPORTO PORTANTE CISTERNA	SUPPORT	SUPPORT	HALTERUNG
05	01	15945264	SUPPORTO ATT. RAPIDO SX	SUPPORT	SUPPORT	HALTERUNG
06	01	15945281	FIANCO SX PARAU RTI POST.	GUARD	PROTECTION	SCHUTZ
07	03	19952324	VITE TPSEI M8X20 ZN B. UNI 5933	SCREW	VIS	SCHRAUBE
08	01	15945280	FIANCO DX PARAU RTI POST.	GUARD	PROTECTION	SCHUTZ
09	06	19953908	DADO ESAG. M8 C/ROND. ZN B.	NUT	ECROU	MUTTER
10	01	15945265	SUPPORTO ATT. RAPIDO DX	SUPPORT	SUPPORT	HALTERUNG
11	04	19952738	VITE TE M10X30 ZN B. UNI 5739	SCREW	VIS	SCHRAUBE
12	04	19954077	DADO ESAG. M10 ZN B. BASSO UNI 5589	NUT	ECROU	MUTTER
13	06	19952737	VITE TE M8X30 ZN B. UNI 5739	SCREW	VIS	SCHRAUBE
14	01	12339453	Kit support contre-poids et outils (support + visserie)			



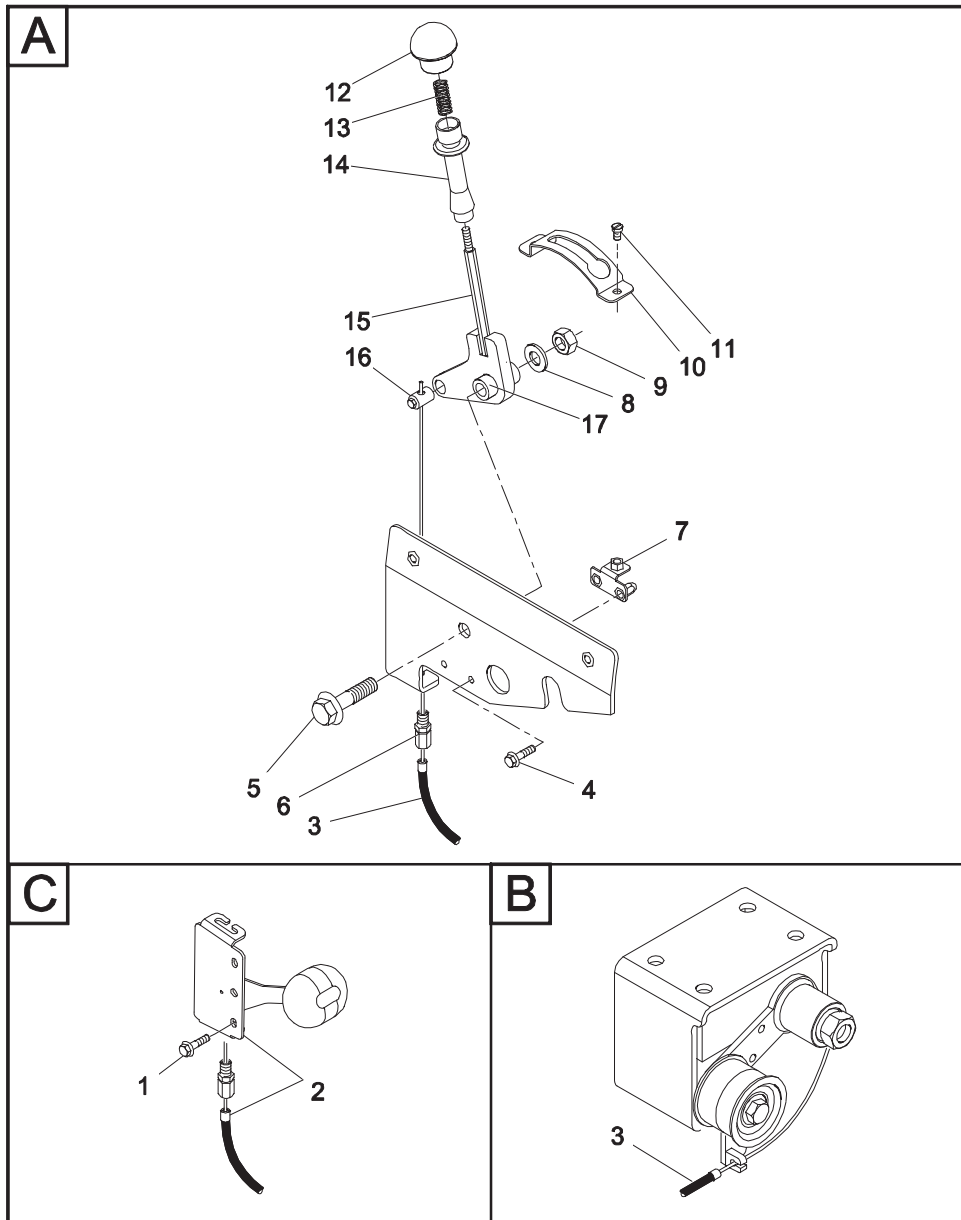
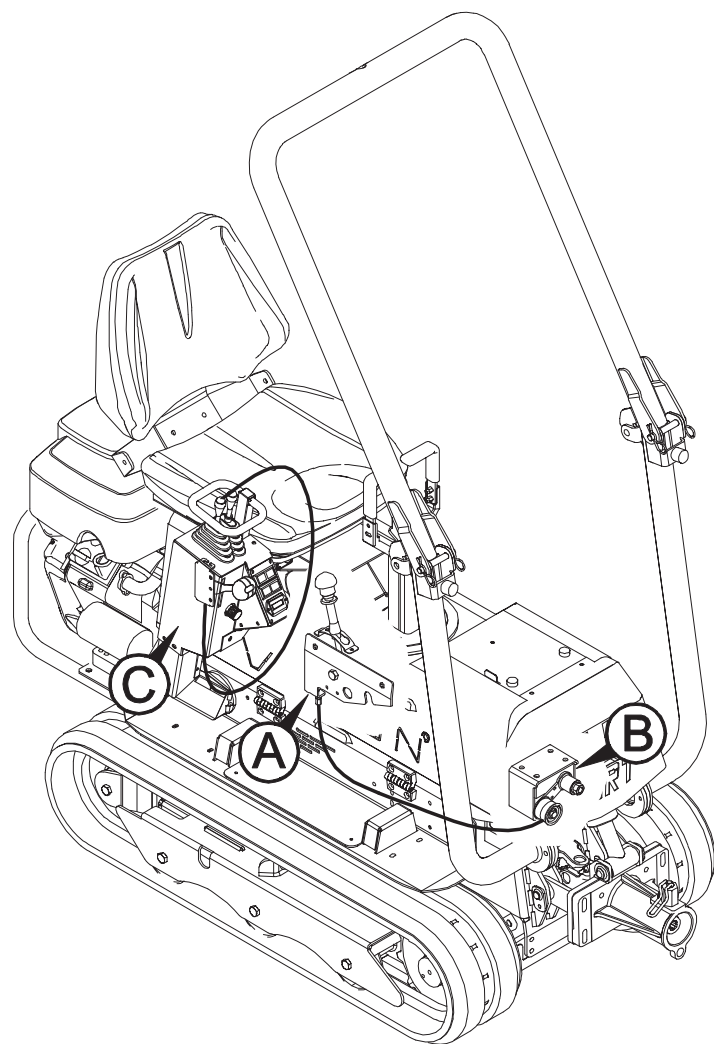
A



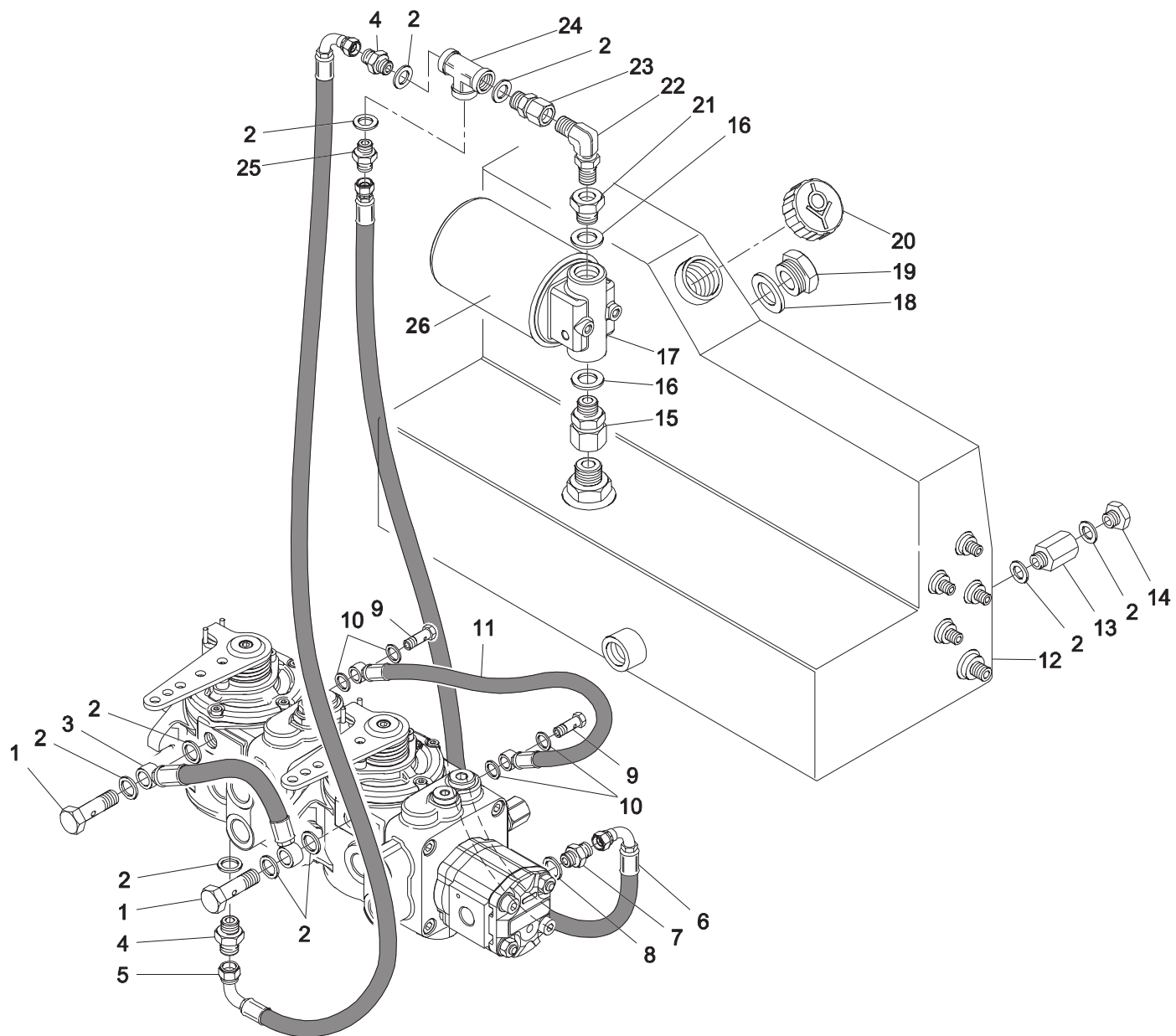
B



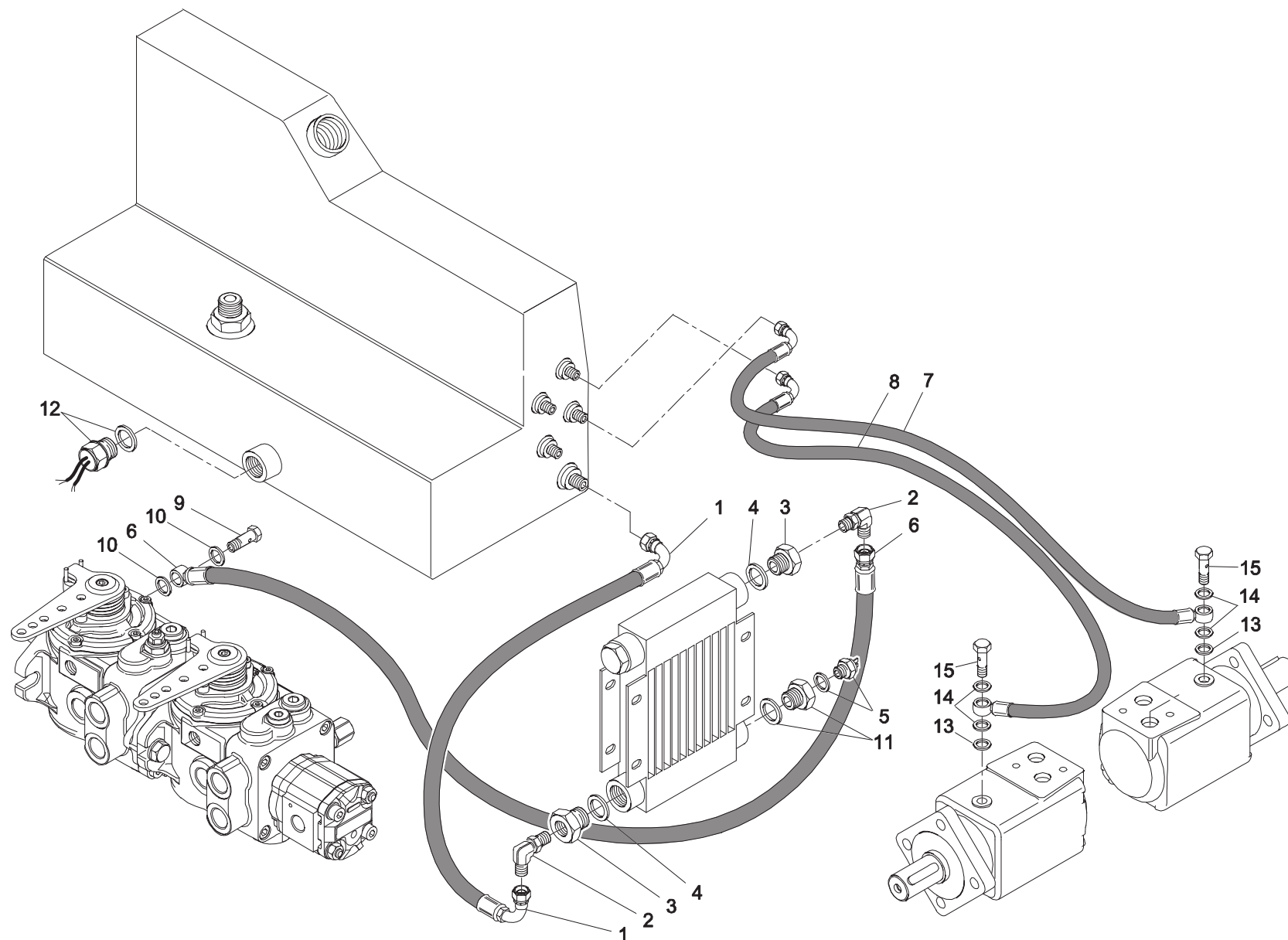
TAB. 10		TRASMISSIONE - SHAFTING TRANSMISSION - TRANSMISSION				
REF.	Q.	COD.	DESCRIZIONE (IT)	DESCRIPTION (EN)	DESCRIPTION (FR)	BENENNUNG (DE)
01	02	15675035	PERNO X FRENO STAZ.	PIN	AXE	BOLZEN
02	02	15001035	MOLLA REGOLAZIONE	SPRING	RESSORT	FEDER
03	02	19954076	DADO ESAG. M8 ZN B. BASSO UNI 5589	NUT	ECROU	MUTTER
04	02	15835083	DADO CIECO M8 C/FORO TESTA D.3	NUT	ECROU	MUTTER
05	02	15675034	SUPP. FERMA FILO FRENO MINIT. F500	SUPPORT	SUPPORT	HALTERUNG
06	01	15678001	TRASM. FRENO STAZIONAM. L=1073	WIRE	CABLE	SEILZUG
07	01	15948011	TRASM. FRENO STAZIONAM. SX L=948	WIRE	CABLE	SEILZUG
08	04	19951718	VITE TE M8X20 C/ROND. ZIGRIN. ZN B.	SCREW	VIS	SCHRAUBE
09	01	15675048	PERNO PER TRASMISSIONI FRENO	PIN	AXE	BOLZEN
10	01	15945174	LEVA INTERNA FRENO A MANO	LEVER	LEVIER	HEBEL
11	01	19955747	SPINA ELASTICA 6X30 SPIR. UNI 6875	ROLL PIN	GOUPILLE ELAST.	STIFT
12	02	14660243	MORSETTO PIATTO A 2 VITI	CLAMP	SERRE-CABLE	SEILKLEMME
13	02	19941020	BOCCOLA AUTOL. PBF 1515-23T	BUSH	DOUILLE	BÜCHSE
14	01	15945194	FLANGIA PER FRENO STAZ. 2^ VERS.	FLANGE	BRIDE	FLANSCH
15	03	19951715	VITE TE M6X20 C/ROND. ZIGRIN. ZN B.	SCREW	VIS	SCHRAUBE
16	01	15945195	LEVA X BLOCCO FRENO STAZ. 2^ VERS.	LEVER	LEVIER	HEBEL
17	01	14660168	GAMBO X BLOCCAGGIO LEVA INVERTITORE	SLEEVE	MANCHON	MUFFE
18	01	15001067	MOLLA X LEVA INVERTORE	SPRING	RESSORT	FEDER
19	01	14660169	POMELLO C/BLOCCAGGIO LEVA INVERTIT.	KNOB	BOUTON	KNEBELGRIFF
20	01	15945196	LAMIERA ARRESTO FRENO 2^ VERS.	SUPPORT	SUPPORT	HALTERUNG
21	02	19951716	VITE TE M6X16 C/ROND. ZIGRIN. ZN B.	SCREW	VIS	SCHRAUBE



TAB. 11		TRASMISSIONE - SHAFTING TRANSMISSION - TRANSMISSION				
REF.	Q.	COD.	DESCRIZIONE (IT)	DESCRIPTION (EN)	DESCRIPTION (FR)	BENENNUNG (DE)
01	02	19951714	VITE TE M5X12 C/ROND. ZIGRIN. ZN B.	SCREW	VIS	SCHRAUBE
02	01	15948010	MANETTINO GAS C/TRASSMISS. L=1295	LEVER, THROTTLE	ACCELERATEUR	GASHEBEL
03	01	15948012	TRASM. TENDIC. PTO L=823 VISION	WIRE	CABLE	SEILZUG
04	02	19951714	VITE TE M5X12 C/ROND. ZIGRIN. ZN B.	SCREW	VIS	SCHRAUBE
05	01	19952609	VITE TE M10X35 ZN B. UNI 5737	SCREW	VIS	SCHRAUBE
06	01	14660261	REGISTRO M8X50	SCREW	VIS	SCHRAUBE
07	01	15945159	LAMIERA FISS. MINI INTERRUTTORE	SUPPORT	SUPPORT	HALTERUNG
08	01	19955011	ROND.PIANA D.10X30X2,5 ZN.B.UNI6592	PLAIN WASHER	RONDELLE	SCHEIBE
09	01	19954255	DADO AUTOBL. M10 ZN BASSO DIN 985	NUT	ECROU	MUTTER
10	01	15945079	ARCHETTO POS. LEVA PTO VISION	SUPPORT	SUPPORT	HALTERUNG
11	02	19951714	VITE TE M5X12 C/ROND. ZIGRIN. ZN B.	SCREW	VIS	SCHRAUBE
12	01	14660169	POMELLO C/BLOCCAGGIO LEVA INVERTIT.	KNOB	BOUTON	KNEBELGRIFF
13	01	15001067	MOLLA X LEVA INVERTORE	SPRING	RESSORT	FEDER
14	01	14660168	GAMBO X BLOCCAGGIO LEVA INVERTITORE	SLEEVE	MANCHON	MUFFE
15	01	15945162	LEVA AZIONAMENTO PTO	LEVER	LEVIER	HEBEL
16	01	14660241	MORSETTO VT 12X21	CLAMP	SERRE-CABLE	SEILKLEMME
17	01	15765152	DISTANZIALE X COFANO B.O.	SPACER	ENTRETOISE	DISTANZSTÜCK

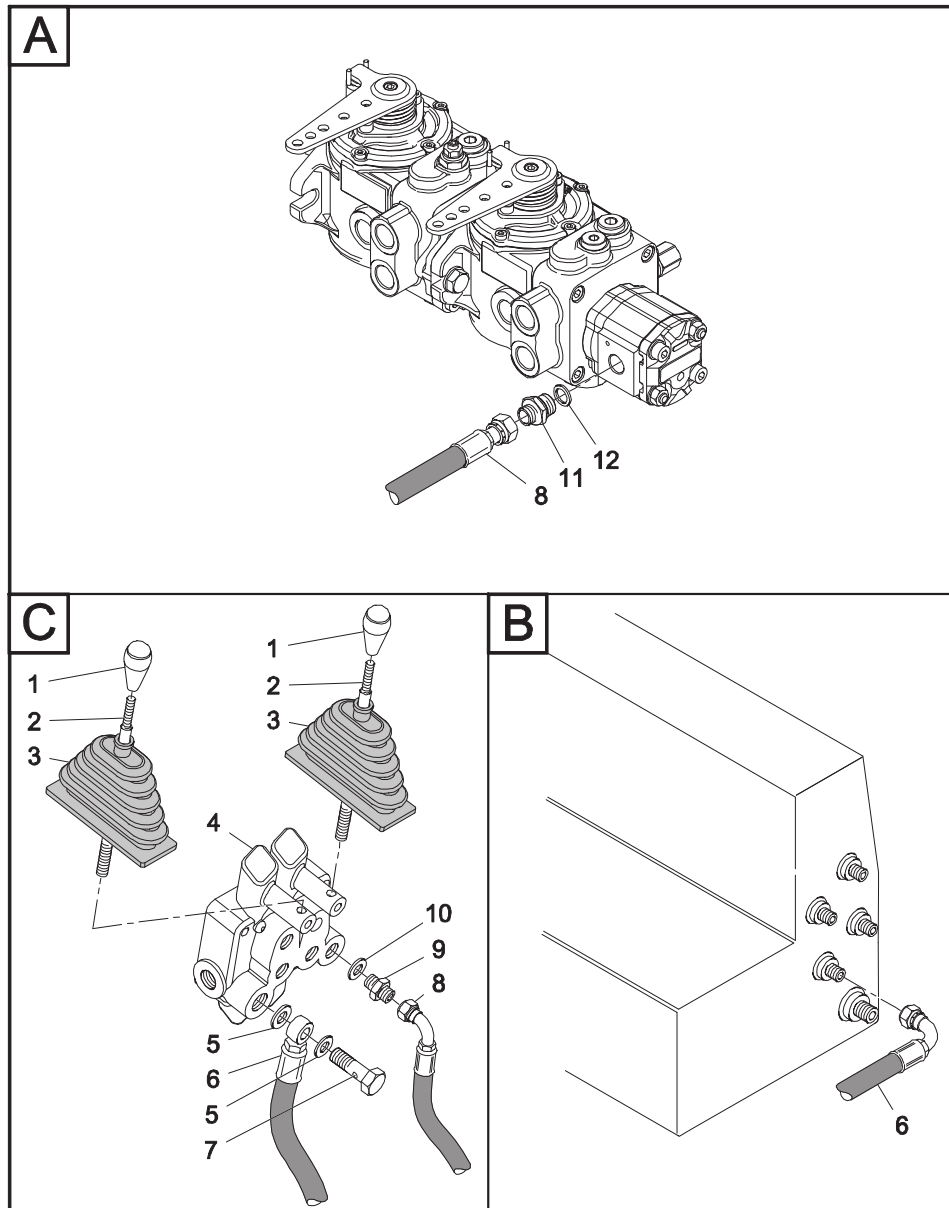
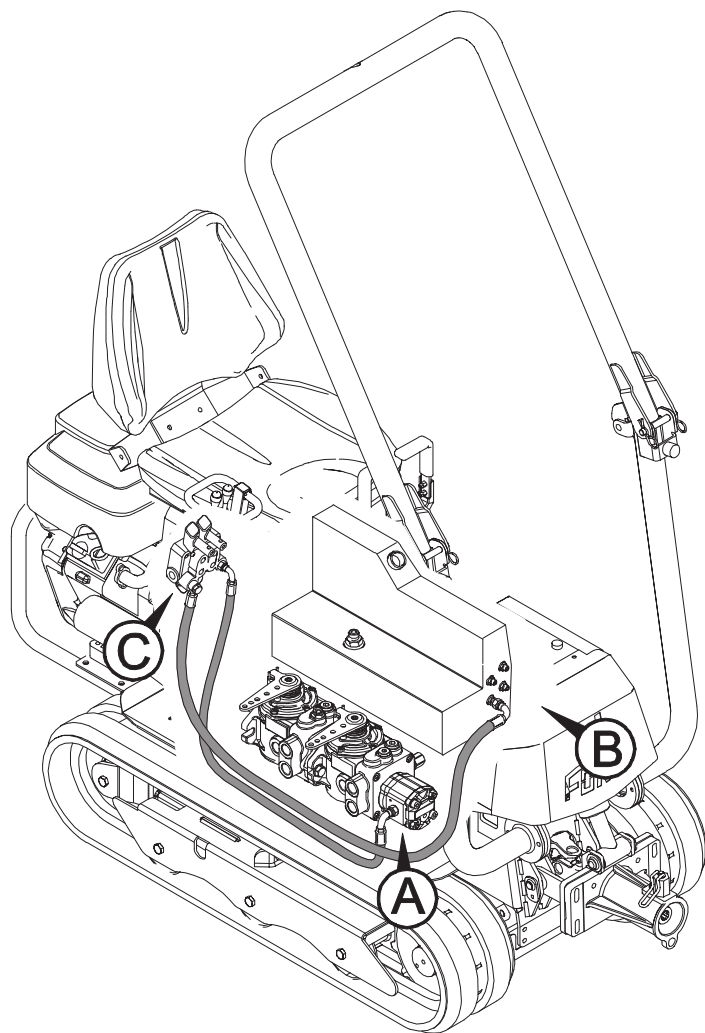


TAB. 12		SERBATOIO - TANK RESERVOIR - BEHÄLTER				
REF.	Q.	COD.	DESCRIZIONE (IT)	DESCRIPTION (EN)	DESCRIPTION (FR)	BENENNUNG (DE)
01	01	14661034	VITE FORATA 1/2'	SCREW	VIS	SCHRAUBE
02	10	19957311	RONDELLA BONDED 1/2'	PLAIN WASHER	RONDELLE	SCHEIBE
03	01	1594800401	TUBO R1 1/2 OC 1/2+OC 1/2 L=185	PIPE	TUYAN	ROHR
04	02	14661013	NIPPLES CONGIUNZIONE M/M 1/2' BSP	JOINT	RACCORD	ANSCHLUßSTÜCK
05	01	1594800404	TUBO R1 1/2 F90 1/2+F90 1/2 L=710	PIPE	TUYAN	ROHR
06	01	1594800405	TUBO R17 3/8 F90 3/8+FD 3/8 L=760	PIPE	TUYAN	ROHR
07	01	14661016	NIPPLES CONGIUNZIONE M/M 3/8' BSP	JOINT	RACCORD	ANSCHLUßSTÜCK
08	01	19957314	RONDELLA BONDED 3/8'	PLAIN WASHER	RONDELLE	SCHEIBE
09	02	14671013	VITE FORATA 1/4'	SCREW	VIS	SCHRAUBE
10	04	19957312	RONDELLA BONDED 1/4'	PLAIN WASHER	RONDELLE	SCHEIBE
11	01	1235302202	TUBO IDR. X POMPA TANDEM 10+10+1.4	PIPE	TUYAN	ROHR
12	01	15945253	SERBATOIO VISION 20 L. NEW	TANK	RÉSERVOIR	BEHÄLTER
13	01	14661049	PROLUNGA CORTA M/F 1/2' L=25	SPACER	ENTRETOISE	DISTANZSTÜCK
14	01	14661056	TAPPO MASCHIO 1/2" TESTA ESAG.	PLUG	BOUCHON	STOPFEN
15	01	14661078	ADATTATORE M/F DRITTO 3/4'-3/4"	JOINT	RACCORD	ANSCHLUßSTÜCK
16	02	19957313	RONDELLA BONDED 3/4'	PLAIN WASHER	RONDELLE	SCHEIBE
17	01	12353023	FILTRO SPIN-ON ASP HF620 20.135 3/4	OIL FILTER	FILTRE A'HUILE	ÖLFILTER
18	01	1466010401	ROND. FIBRA X SPIA LIVELLO OLIO 1'	GASKET	JOINT	DICHTUNG
19	01	14660104	SPIA LIVELLO OLIO 1'	SPY OF LEVEL	ESPION DE NIVEAU	STOPFEN
20	01	14660163	TAPPO SFIATO PRESS. SWF.57-3/4+F350	PLUG	BOUCHON	STOPFEN
21	01	14661083	RIDUZIONE CORTA M/F 3/4'-1/2'	JOINT	RACCORD	ANSCHLUßSTÜCK
22	01	14661036	GOMITO M-M BSP C/CONTRODADO 1/2"	JOINT	RACCORD	ANSCHLUßSTÜCK
23	01	14661075	ADATTATORE M/F DRITTO 1/2'-1/2'	JOINT	RACCORD	ANSCHLUßSTÜCK
24	01	14661019	RACCORDO A T F/F/F 1/2' BSP	JOINT	RACCORD	ANSCHLUßSTÜCK
25	01	14661012	NIPPLES RIDUZIONE M/M 1/2'-3/8' BSP	JOINT	RACCORD	ANSCHLUßSTÜCK
26	01	HHC01803	Filtre à huile hydraulique (sans support)			

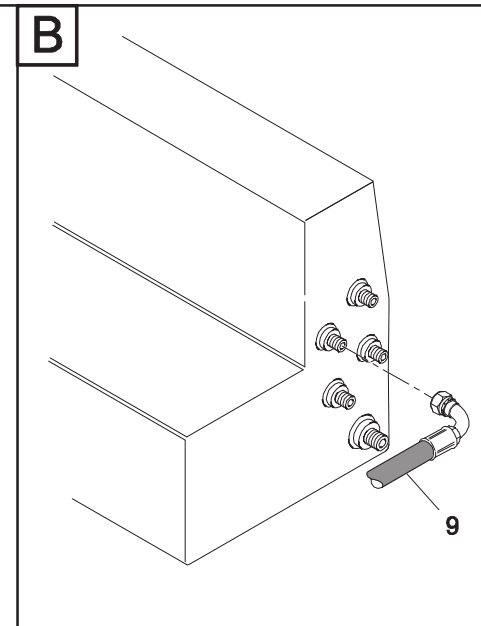
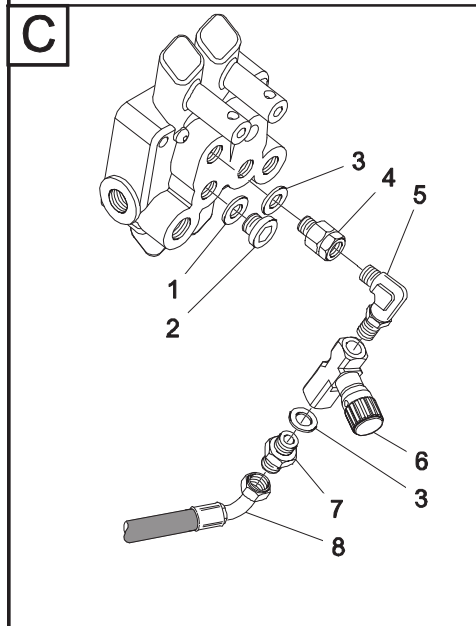
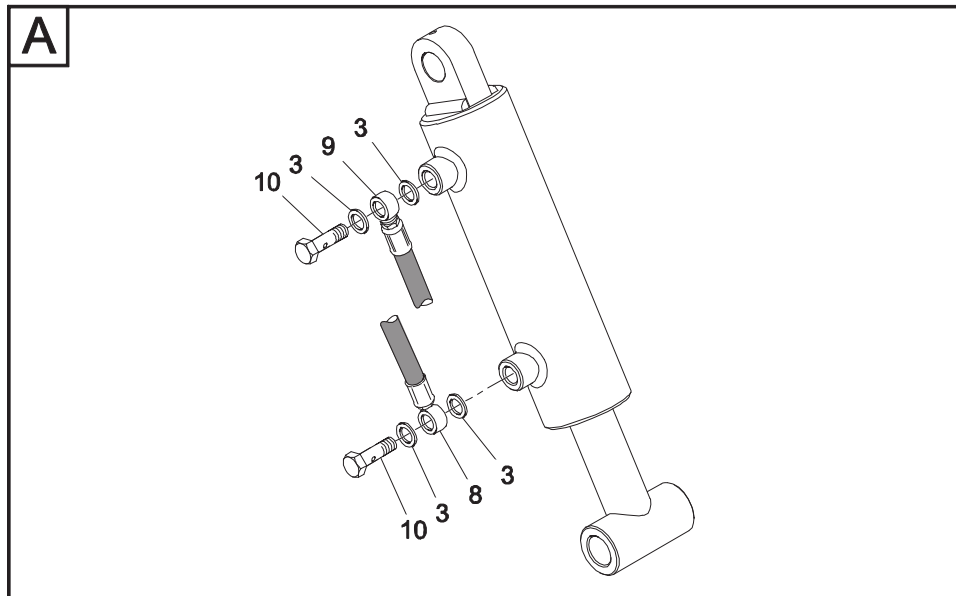
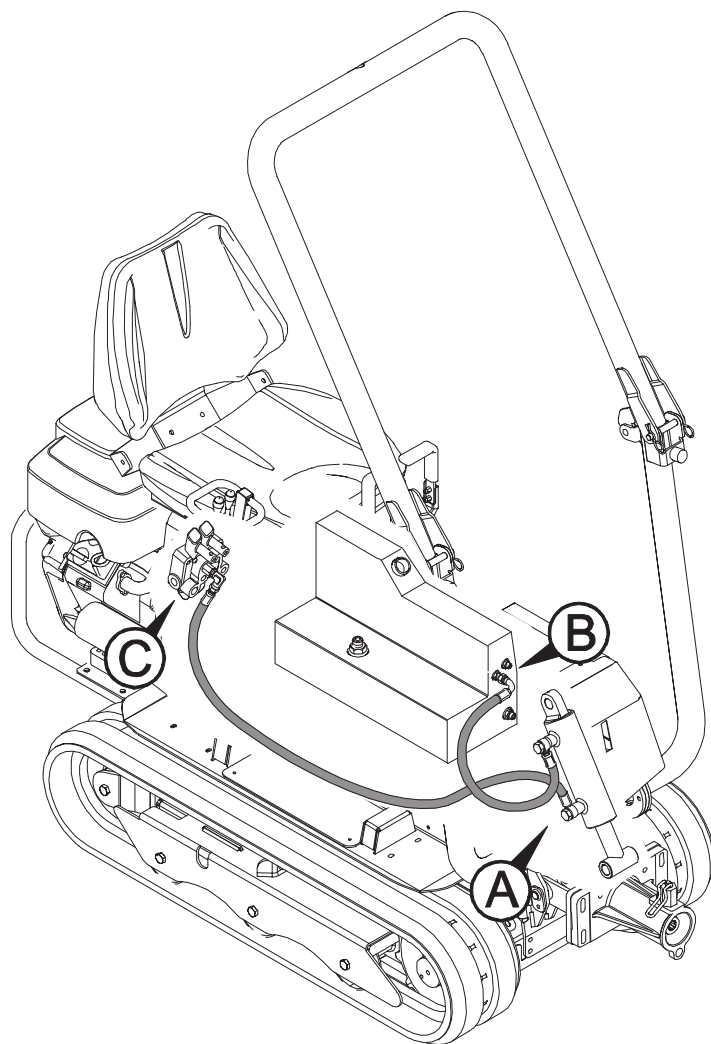


TAB. 13		IMPIANTO IDRAULICO - HYDRAULIC EQUIPMENT INSTALLATION HYDRAULIQUE - HYDRAULISCHE ANLAGE				
REF.	Q.	COD.	DESCRIZIONE (IT)	DESCRIPTION (EN)	DESCRIPTION (FR)	BENENNUNG (DE)
01	01	1594800403	TUBO R1 1/2 F90 1/2+F90 1/2 L=400	PIPE	TUYAN	ROHR
02	02	14661036	GOMITO M-M BSP C/CONTRODADO 1/2"	JOINT	RACCORD	ANSCHLUßSTÜCK
03	02	14661083	RIDUZIONE CORTA M/F 3/4'-1/2'	JOINT	RACCORD	ANSCHLUßSTÜCK
04	02	19957313	RONDELLA BONDED 3/4'	PLAIN WASHER	RONDELLE	SCHEIBE
05	01	14661116	TERMOSTATO T.F. 60°- M22X1,5	THERMOSTAT	THERMOSTAT	THERMOSTAT
06	01	1594800402	TUBO R1 1/2 FD 1/2+OC 1/2 L=900	PIPE	TUYAN	ROHR
07	01	1594800416	TUBO R17 1/4 OC 1/4+F90 1/4 L=810	PIPE	TUYAN	ROHR
08	01	1594800417	TUBO R17 1/4 OC 1/4+F90 1/4 L=600	PIPE	TUYAN	ROHR
09	01	14661034	VITE FORATA 1/2'	SCREW	VIS	SCHRAUBE
10	02	19957311	RONDELLA BONDED 1/2'	PLAIN WASHER	RONDELLE	SCHEIBE
11	01	1235301902	TAPPO 3/4 C/RIDUZ. M22x1,5	PLUG	BOUCHON	STOPFEN
12	01	14661115	KIT TERM. DIN 90/95°- M22X1,5-N.C.	THERMOSTAT	THERMOSTAT	THERMOSTAT
13	02	19957101	RONDELLA RAME 1/4' 13,5x19x1,5	PLAIN WASHER	RONDELLE	SCHEIBE
14	04	19957312	RONDELLA BONDED 1/4'	PLAIN WASHER	RONDELLE	SCHEIBE
15	02	14671013	VITE FORATA 1/4'	SCREW	VIS	SCHRAUBE

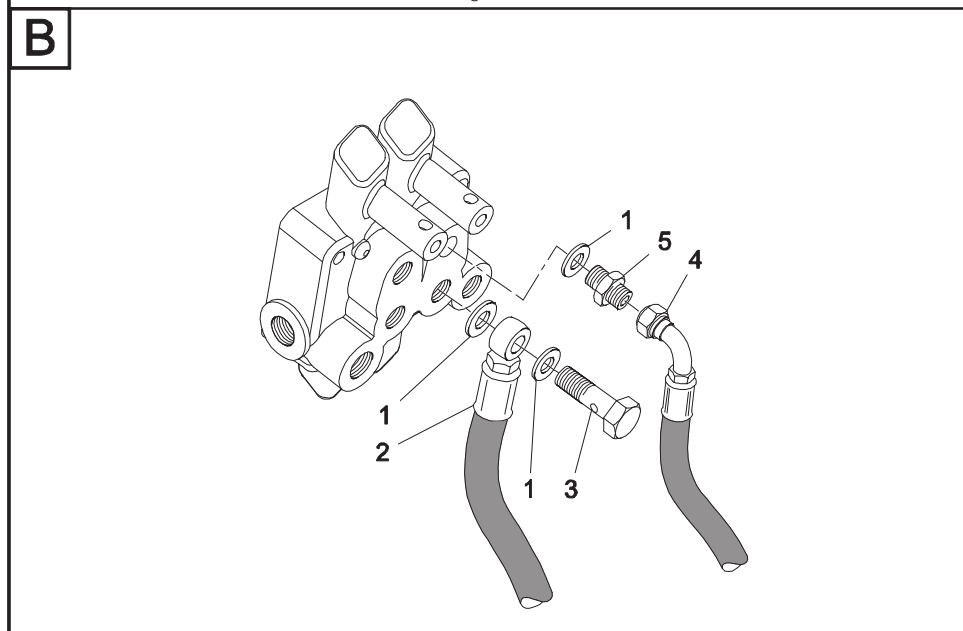
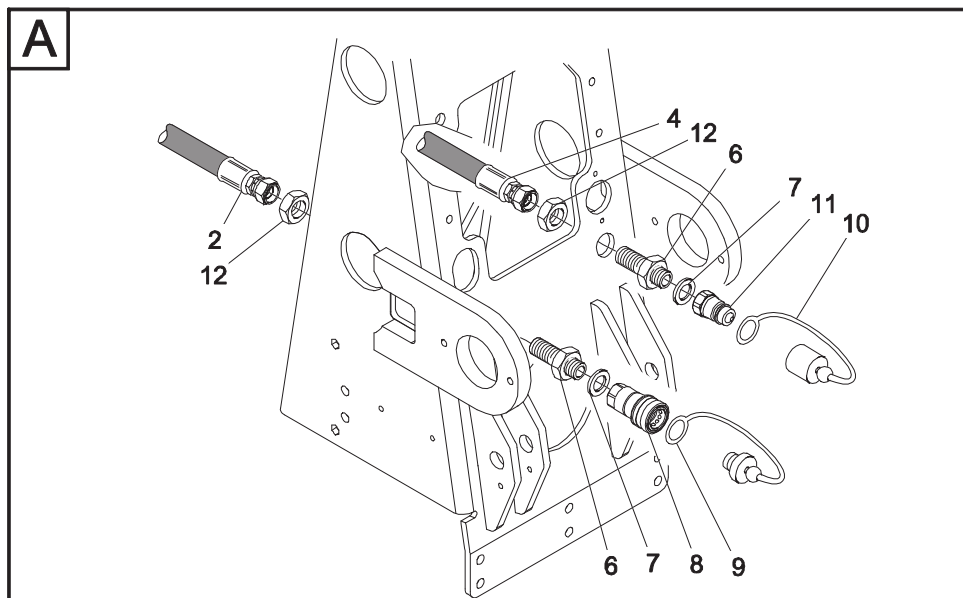
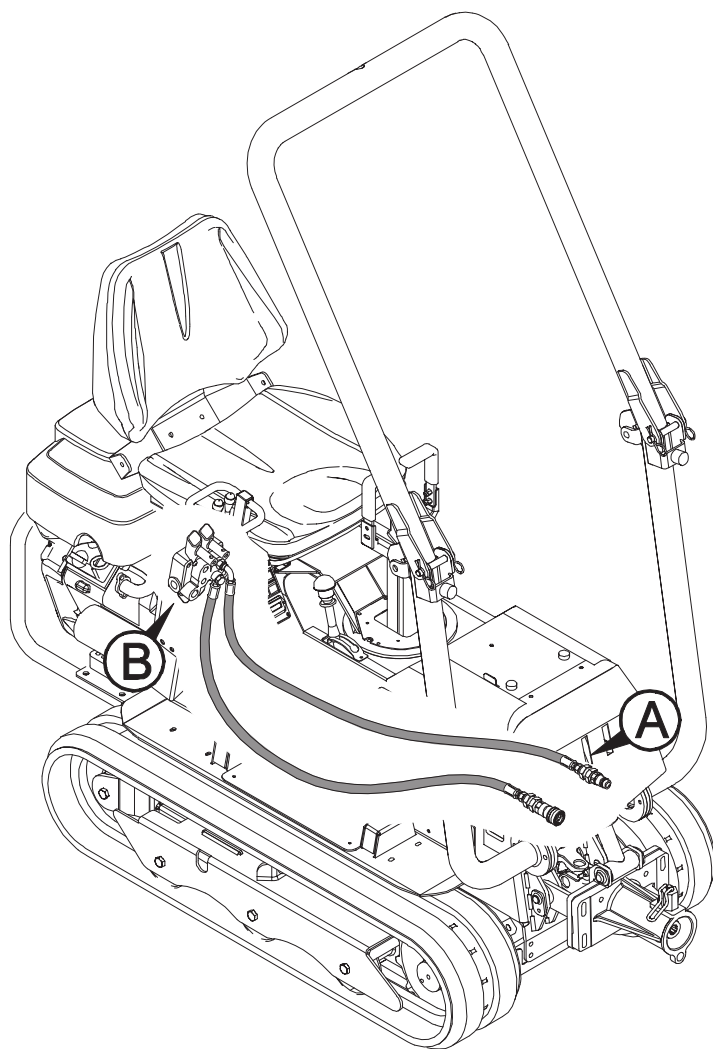
TAB. 14		IMPIANTO IDRAULICO - HYDRAULIC EQUIPMENT INSTALLATION HYDRAULIQUE - HYDRAULISCHE ANLAGE				
REF.	Q.	COD.	DESCRIZIONE (IT)	DESCRIPTION (EN)	DESCRIPTION (FR)	BENENNUNG (DE)
01	08	14661058	NIPPLES M/M 1/2" L12	JOINT	RACCORD	ANSCHLUßSTÜCK
02	01	1794800302	TUBO INFER. MOTORE DX D.12	PIPE	TUYAN	ROHR
03	01	1794800301	TUBO SUPER. MOTORE DX D.12	PIPE	TUYAN	ROHR
04	01	1794800304	TUBO INFER. MOTORE SX D.12	PIPE	TUYAN	ROHR
05	01	1794800303	TUBO SUPER. MOTORE SX D.12	PIPE	TUYAN	ROHR



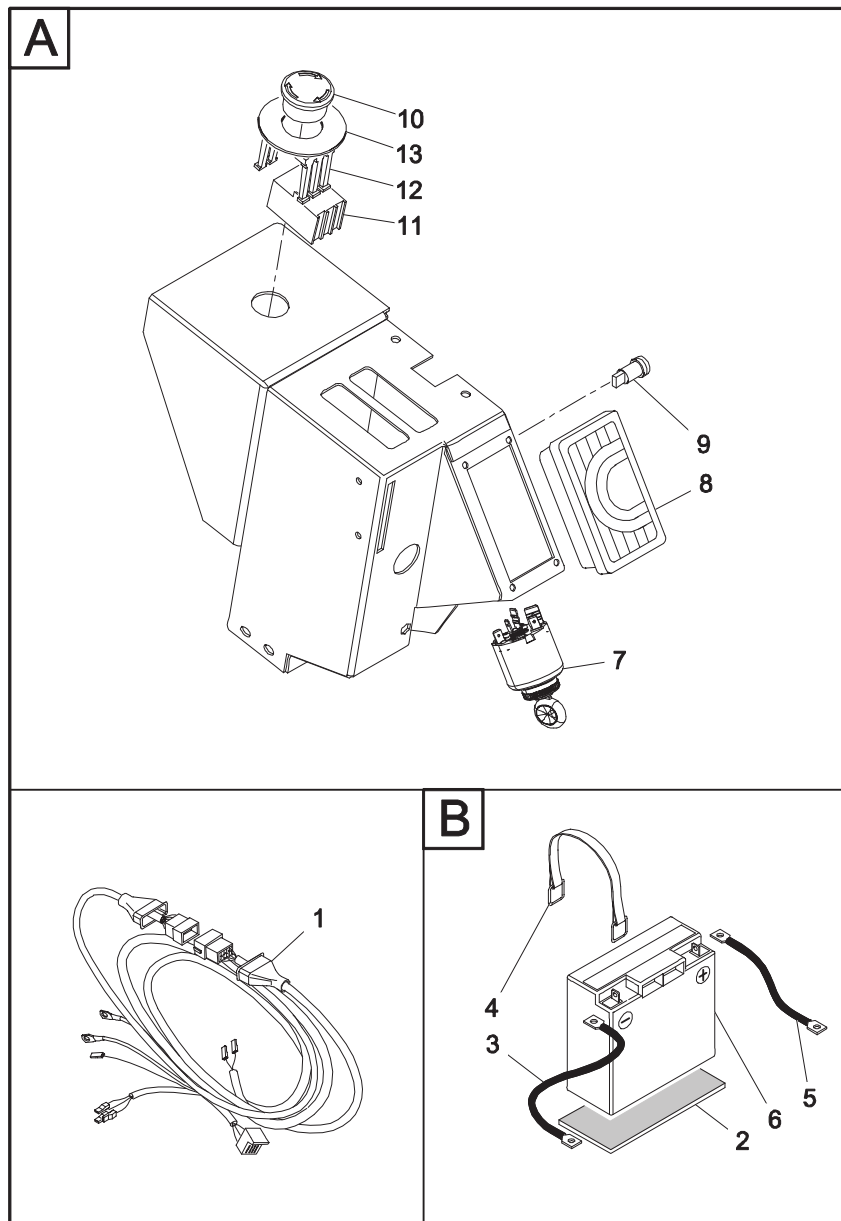
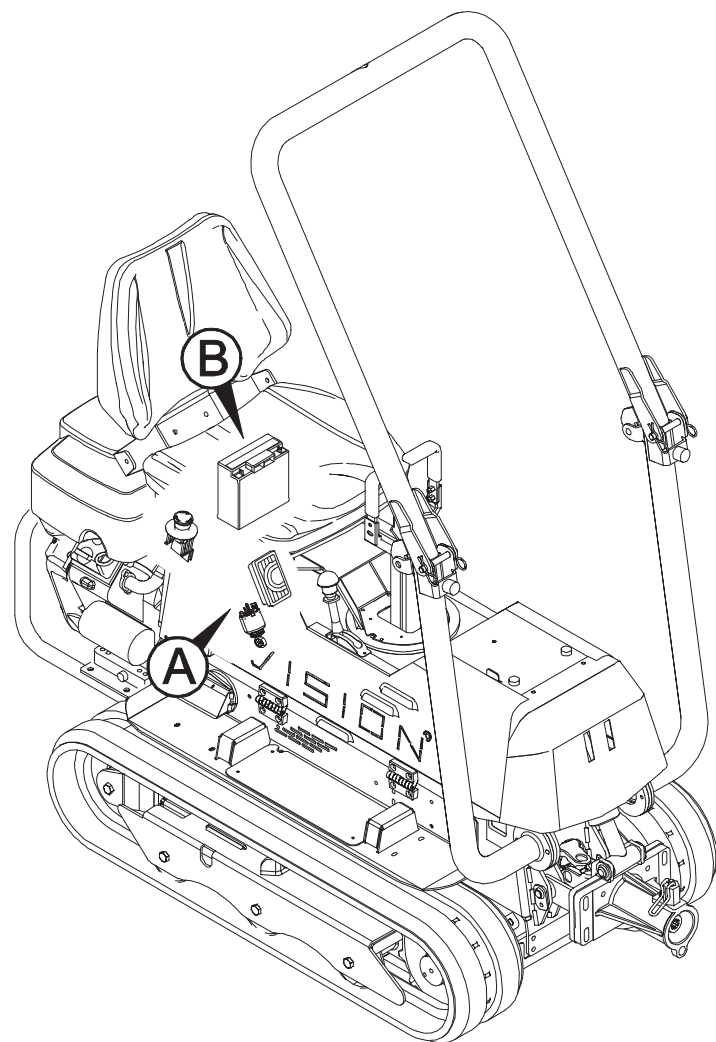
TAB. 15		IMPIANTO IDRAULICO - HYDRAULIC EQUIPMENT INSTALLATION HYDRAULIQUE - HYDRAULISCHE ANLAGE				
REF.	Q.	COD.	DESCRIZIONE (IT)	DESCRIPTION (EN)	DESCRIPTION (FR)	BENENNUNG (DE)
01	02	1235056801	POMELLO X ASTA DISTR. D.8	KNOB	BOUTON	KNEBELGRIFF
02	02	1235056803	ASTA D.8 X DISTRIBUTORE	ROD	TIGE	STANGE
03	02	14680511	SOFFIETTO IN GOMMA D.10 110X36X78	GUARD	PROTECTION	SCHUTZ
04	01	12350568	DISTRIB. 2 LEVE	DISTRIBUTOR	DISTRIBUTEUR	STEUERGERÄT
05	02	19957314	RONDELLA BONDED 3/8'	PLAIN WASHER	RONDELLE	SCHEIBE
06	01	1594800418	TUBO R17 3/8 OC 3/8+F90 3/8 L=1000	PIPE	TUYAN	ROHR
07	01	14661030	VITE FORATA 3/8'	SCREW	VIS	SCHRAUBE
08	01	1594800410	TUBO R17 1/4 FD 1/4+F90 1/4 L=860	PIPE	TUYAN	ROHR
09	01	14661010	NIPPLES M/M 1/4'	JOINT	RACCORD	ANSCHLUßSTÜCK
10	01	19957312	RONDELLA BONDED 1/4'	PLAIN WASHER	RONDELLE	SCHEIBE
11	01	14661015	NIPPLES M/M 3/8'-1/4'	JOINT	RACCORD	ANSCHLUßSTÜCK
12	01	19957314	RONDELLA BONDED 3/8'	PLAIN WASHER	RONDELLE	SCHEIBE



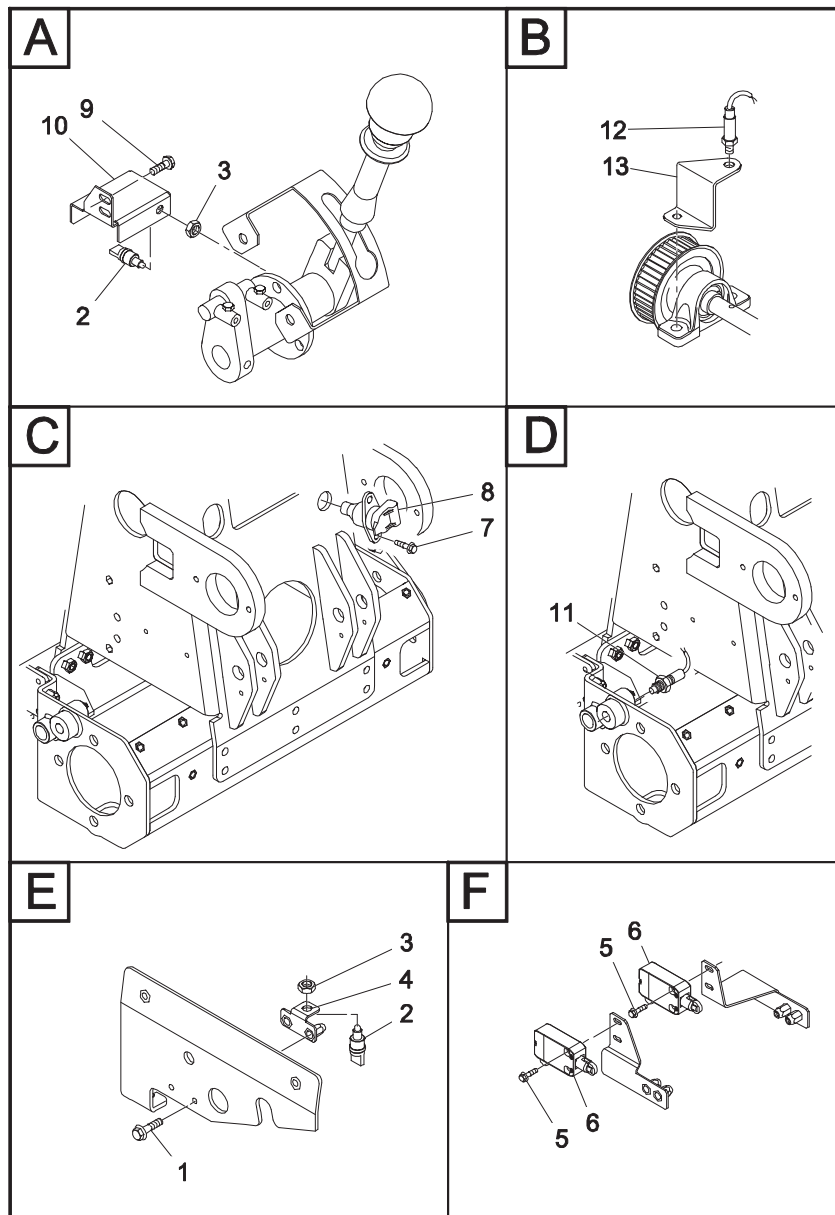
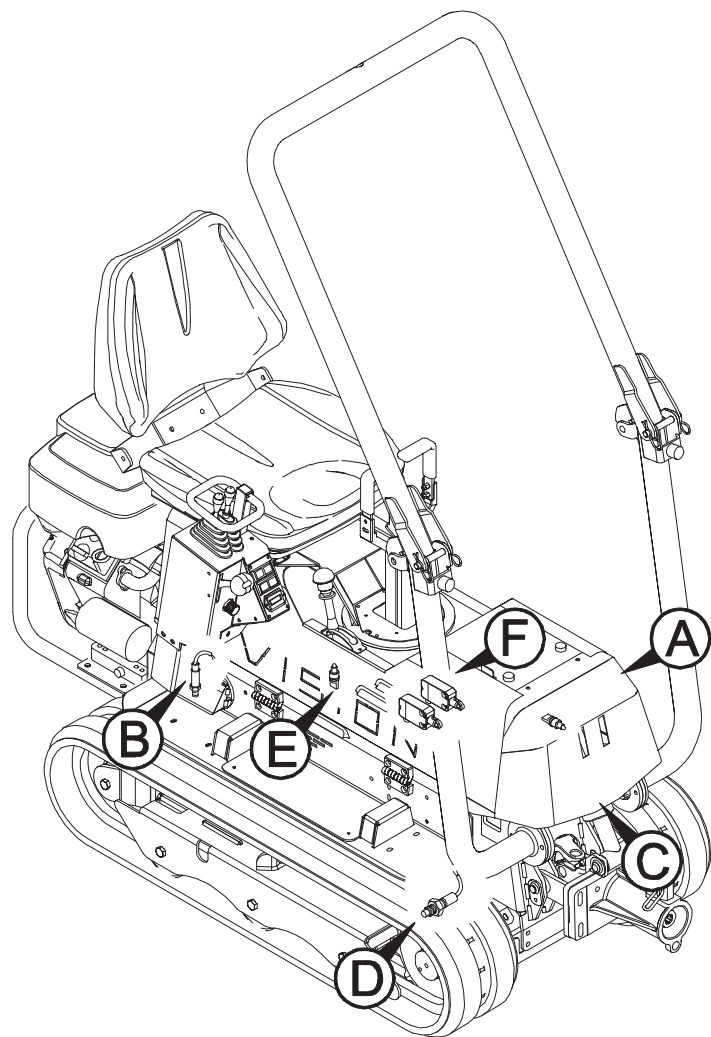
TAB. 16		IMPIANTO IDRAULICO - HYDRAULIC EQUIPMENT INSTALLATION HYDRAULIQUE - HYDRAULISCHE ANLAGE				
REF.	Q.	COD.	DESCRIZIONE (IT)	DESCRIPTION (EN)	DESCRIPTION (FR)	BENENNUNG (DE)
01	01	19957101	RONDELLA RAME 1/4' 13,5x19x1,5	PLAIN WASHER	RONDELLE	SCHEIBE
02	01	14661002	TAPPO MASCHIO 1/4"	PLUG	BOUCHON	STOPFEN
03	06	19957312	RONDELLA BONDED 1/4'	PLAIN WASHER	RONDELLE	SCHEIBE
04	01	14661109	ADATTATORE M-FD BSP 1/4"	JOINT	RACCORD	ANSCHLUßSTÜCK
05	01	14661066	GOMITO M-M BSP C/CONTRODADO 1/4'	JOINT	RACCORD	ANSCHLUßSTÜCK
06	01	14661107	REGOLATORE DI FLUSSO UNID. 1/4"	REGULATOR	REGULATEUR	REGLER
07	01	14661010	NIPPLES M/M 1/4'	JOINT	RACCORD	ANSCHLUßSTÜCK
08	01	1594800411	TUBO R17 1/4 OC 1/4+F90 1/4 L=1330	PIPE	TUYAN	ROHR
09	01	1594800408	TUBO R17 1/4 OC 1/4+F90 1/4 L=630	PIPE	TUYAN	ROHR
10	02	14671013	VITE FORATA 1/4'	SCREW	VIS	SCHRAUBE



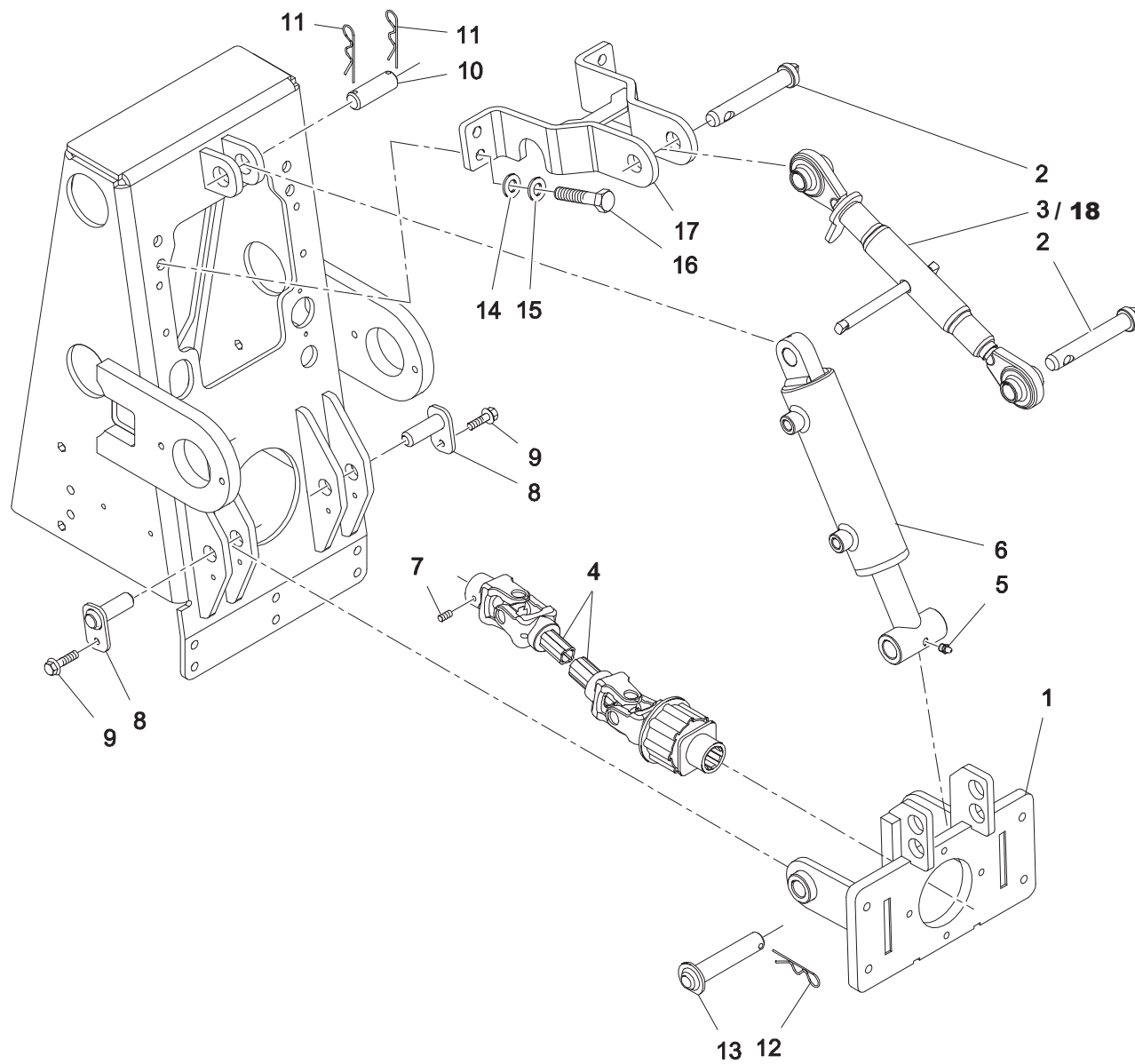
TAB. 17		IMPIANTO IDRAULICO - HYDRAULIC EQUIPMENT INSTALLATION HYDRAULIQUE - HYDRAULISCHE ANLAGE				
REF.	Q.	COD.	DESCRIZIONE (IT)	DESCRIPTION (EN)	DESCRIPTION (FR)	BENENNUNG (DE)
01	03	19957312	RONDELLA BONDED 1/4'	PLAIN WASHER	RONDELLE	SCHEIBE
02	01	1594800412	TUBO R17 1/4 OC 1/4+FD 1/2 L=1220	PIPE	TUYAN	ROHR
03	01	14671013	VITE FORATA 1/4'	SCREW	VIS	SCHRAUBE
04	01	1594800413	TUBO R17 1/4 F90 1/4+FD 1/2 L=1250	PIPE	TUYAN	ROHR
05	01	14661010	NIPPLES M/M 1/4'	JOINT	RACCORD	ANSCHLUßSTÜCK
06	02	14661050	NIPPLES PASSAPARETE 1/2' BSP	JOINT	RACCORD	ANSCHLUßSTÜCK
07	02	19957311	RONDELLA BONDED 1/2'	PLAIN WASHER	RONDELLE	SCHEIBE
08	01	14661045	INNESTO RAPIDO BIR FEMMINA 1/2'	QUICK LINK	BRANCHEMENT	KUPPLUNG
09	01	1466104501	TAPPO PVC X INN. RAP. BIR F 1/2'	PLUG	BOUCHON	STOPFEN
10	01	1466104001	TAPPO PVC X INN. RAP. BIR M 1/2'	PLUG	BOUCHON	STOPFEN
11	01	14661040	INNESTO RAPIDO BIR MASCHIO 1/2'	QUICK LINK	BRANCHEMENT	KUPPLUNG
12	02	1466105001	DADO X NIPPLES PASSAPARETE 1/2'	NUT	ECROU	MUTTER



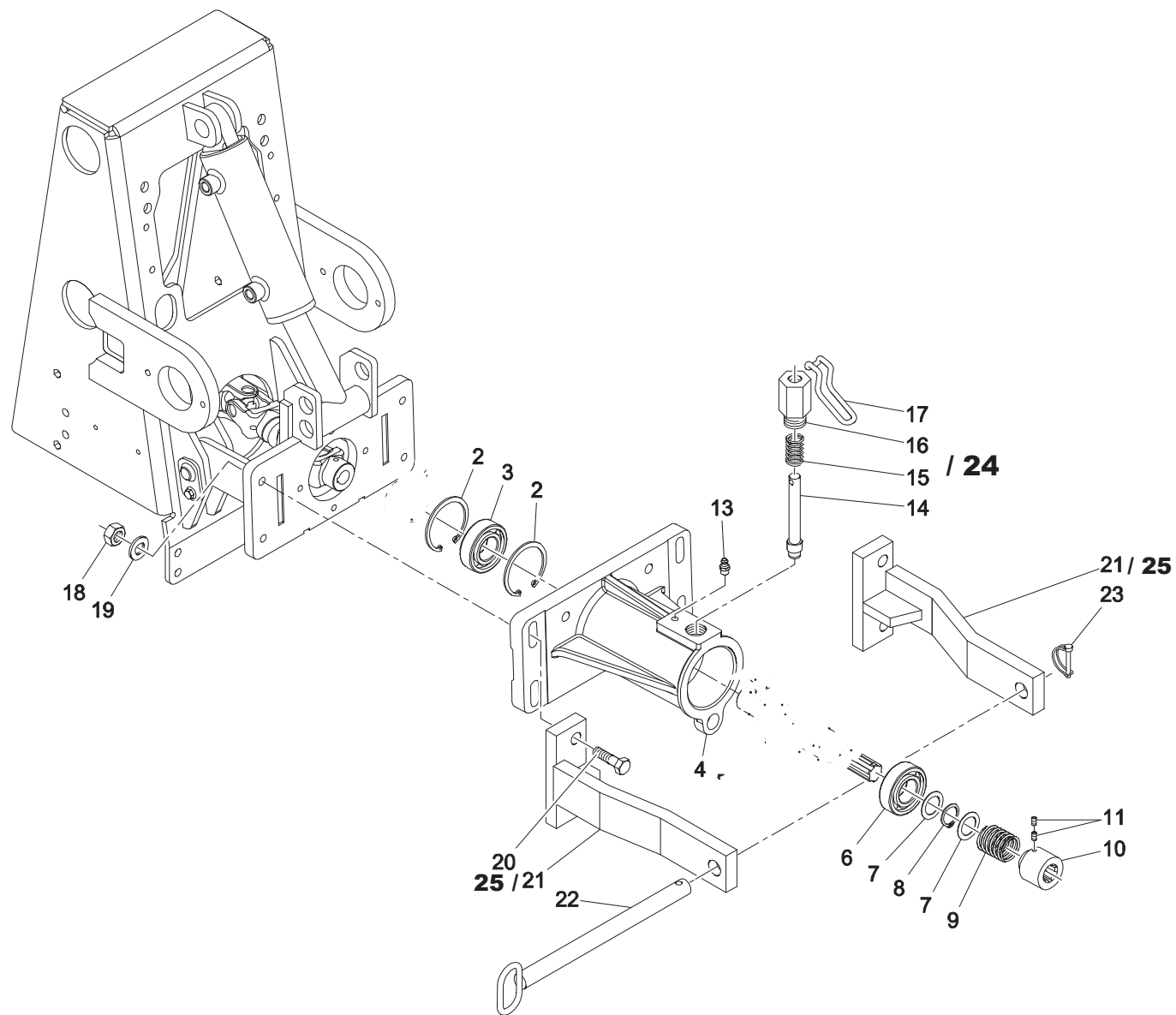
TAB. 18		IMPIANTO ELETTRICO - ELECTRICAL SYSTEM INSTALLATION ELECTRIQUE - ELEKTRISCHE ANLAGE				
REF.	Q.	COD.	DESCRIZIONE (IT)	DESCRIPTION (EN)	DESCRIPTION (FR)	BENENNUNG (DE)
01	01	15948102	IMPIANTO ELETTRICO BASE VISION	WIRING	FAISCEAU	KABELVERBINDUNG
02	01	14680502	RETTAN. SOTTOBATTERIA 240x120 SP.10	RUBBER GUARD	PROTECT. EN CAOUTCH.	GUMMIMATTE
03	01	14670808	CAVO BATTERIA (-) D.10 L=530	CABLE, NEGATIVE	CABLE NEGATIVE	NEGATIVKABEL
04	01	14680909	CINGHIETTA GOMMA X BATT. Lmax=213mm	TIE ROD	TIRANT	ZUGBOLZEN
05	01	15716002	CAVO BATTERIA (+) D.10 L=510 ROSSO	CABLE, POSITIVE	CABLE POSITIVE	POSITIVKABEL
06	01	14670706	BATTERIA 12V 20Ah CARICA A SECCO	BATTERY	BATTERIE	BATTERIE
07	01	1462182307	BLOCCHETTO AVVIAMENTO C/CHIAVI	KEY STARTING SWITCH	DEMARRAGE À CLÉ	SCHLÜSSELANLASS SCHALTER
08	01	14670644	CRUSCOTTO MCP 1500 1LCD 10SP 12V	HOURS COUNTER	HORAMÉTER	STUNDENZÄHLER
09	01	14670476	MINI PULSANTE N.O. GIALLO	SWITCH	INTERRUPTEUR	SCHALTER
10	01	14670035	PULSANTE FUNGO ROSSO CON BLOCCO	SWITCH STOP	INTERRUPTEUR STOP	SCHALTER STOP
11	01	14670038	CONTATTO 1 NO PER FUNGO EMERG.	CONTACT	CONTACT	KONTAKT
12	01	14670036	SUPPORTO CON BLOCC. PER 3 CONTATTI	SUPPORT	SUPPORT	HALTERUNG
13	01	14670039	TARGA SCRITTA EMERGENZA	WRITTEN EMERGENCY	URGENCE ÉCRITE	SCHRIFTLICHE EMERGENCY



TAB. 19		IMPIANTO ELETTRICO - ELECTRICAL SYSTEM INSTALLATION ELECTRIQUE - ELEKTRISCHE ANLAGE				
REF.	Q.	COD.	DESCRIZIONE (IT)	DESCRIPTION (EN)	DESCRIPTION (FR)	BENENNUNG (DE)
01	02	19951714	VITE TE M5X12 C/ROND. ZIGRIN. ZN B.	SCREW	VIS	SCHRAUBE
02	02	14660413	MICROINT. PER MOTORSTOP 1/4X32'N.A.	SWITCH	INTERRUPTEUR	SCHALTER
03	02	14660418	DADO 1/4X32" CH.10 PER MICROINT.	NUT	ECROU	MUTTER
04	01	15945159	LAMIERA FISS. MINI INTERRUTTORE	SUPPORT	SUPPORT	HALTERUNG
05	04	19950308	VITE TC 4X25 ZN B. DIN 7985	SCREW	VIS	SCHRAUBE
06	02	14670649	FINECORSO A ROTELLA 1 NO+1 NC RAP.	SWITCH	INTERRUPTEUR	SCHALTER
07	02	19951714	VITE TE M5X12 C/ROND. ZIGRIN. ZN B.	SCREW	VIS	SCHRAUBE
08	01	14670033	GIUNTO A DUE POLI FEMMINA	SOCKET	PRISE	STECKDOSE
09	02	19951714	VITE TE M5X12 C/ROND. ZIGRIN. ZN B.	SCREW	VIS	SCHRAUBE
10	01	15945197	LAMIERA FISS. MINI INTERR. 2ª VERS.	SUPPORT	SUPPORT	HALTERUNG
11	01	14670645	SENSORE INDUTTIVO PNP D.12/4 L=2M	SENSOR	SENSEUR	SENSOR
12	01	14670645	SENSORE INDUTTIVO PNP D.12/4 L=2M	SENSOR	SENSEUR	SENSOR
13	01	15945168	STAFFA SOST. SENSORE CONTAGIRI DIG.	SUPPORT	SUPPORT	HALTERUNG



TAB. 20		SOLLEVAMENTO - LIFTER LEVAGE - HEBEN				
REF.	Q.	COD.	DESCRIZIONE (IT)	DESCRIPTION (EN)	DESCRIPTION (FR)	BENENNUNG (DE)
01	01	15945073	STAFFA FISS. ATTACCO PTO VISION	PLATE	PLAQUE	PLATTE
02	02	15001113	PERNO D.19 C/CATENA X 3^ PUNTO	PIN	AXE	BOLZEN
03	01	14664009	BRACCIO 3' PUNTO d.19 x 220	CENTER LINK	BARRE DE POUSSEE	OBERLENKER
04	01	15945284	CARDANO S1 L=400 D.25 - 1" 3/8	SHAFT	ARBRE	WELLE
05	01	19956201	INGRASS. M6X1 DRITTO	GREASE NIPPLE	GRAISSEUR	SCHMIERNIPPLE
06	01	15685129	MARTINETTO C=100 CM.130	PISTON	VERIN	ZYLINDERKOLBEN
07	01	19952529	VITE S.T. P.PIANA M10X12 UNI 5923	SCREW	VIS	SCHRAUBE
08	02	15945018	PERNO FORCELLA INF. SOLL. VISION	PIN	AXE	BOLZEN
09	02	19951716	VITE TE M6X16 C/ROND. ZIGRIN. ZN B.	SCREW	VIS	SCHRAUBE
10	01	15945027	PERNO SUP. PISTONE VISION	PIN	AXE	BOLZEN
11	02	15001083	SPINA DI FERMO D.3 A 'R'	SPRING CLIP	GOUPILLE RAPIDE	VORSTECKER
12	01	15001085	SPINA DI FERMO D.4 A 'R'	SPRING CLIP	GOUPILLE RAPIDE	VORSTECKER
13	01	15945052	PERNO INF. PISTONE VISION	PIN	AXE	BOLZEN
14	04	19955053	ROND.PIANA D.10X21X2 ZN.B. UNI6592	WASHER	RONDELLE	SCHEIBE
15	04	19955274	ROSETTA ELAS.D10 ZB. RINF. DIN 128B	SPRING WASHER	RONDELLE ELASTIQUE	FEDERSCHREIBE
16	04	19952738	VITE TE M10X30 ZN B. UNI 5739	SCREW	VIS	SCHRAUBE
17	01	15945083	ATTACCO TERZO PUNTO VISION	SUPPORT	SUPPORT	HALTERUNG
18	01	0311116	Barre de poussée 256/350 rotule de ø19 - Vis de 22x2,5 "Boisselet"			



TAB. 21		SOLLEVAMENTO 2 PUNTI - 2 POINTS LIFTER LEVAGE 2 POINTS - 2 PUNKT HEBEN				
REF.	Q.	COD.	DESCRIZIONE (IT)	DESCRIPTION (EN)	DESCRIPTION (FR)	BENENNUNG (DE)
02	02	19955652	ANELLO ELASTICO I52 UNI 7437	LOCKRING	ARRETOIR	SICHERUNGSRING
03	01	19902327	CUSCIN. 6205-2RS 2F	BEARING	ROULEMENT	KUGELLAGER
04	01	15941001	MANICOTTO PTO D.65 X VISION	SLEEVE	MANCHON	MUFFE
06	01	19902522	CUSCIN. 6304-2RS 2F	BEARING	ROULEMENT	KUGELLAGER
07	02	19956029	SPESSORE ACC. 20-30-0,5	SHIM	CALE D'EPaisseur	DISTANZSCHEIBE
08	01	19955520	ANELLO ELASTICO E20 UNI 7435	LOCKRING	ARRETOIR	SICHERUNGSRING
09	01	15001010	MOLLA PER R.M.	SPRING WASHER	RESSORT	FEDER
10	01	15544023	BOCCOLA INNESTO PTO	BUSH	DOUILLE	BÜCHSE
11	02	19952520	VITE S.T. P.PIANA M5X5 UNI 5923	SCREW	VIS	SCHRAUBE
12	01	19956330	LINGUETTA 8X7X30 UNI 6604	KEY	CLAVETTE	KEIL
13	01	19956203	INGRASS. M8X1,25 DRITTO ZB.	GREASE NIPPLE	GRAISSEUR	SCHMIERNIPPLE
14	01	15755059	PERNO PER INNESTO	PIN	AXE	BOLZEN
15	01	15001035	MOLLA REGOLAZIONE	SPRING WASHER	RESSORT	FEDER
16	01	15755058	BUSSOLA ESAGONALE	BUSH	DOUILLE	BÜCHSE
17	01	15755049	LEVA A MOLLA X INNESTO RAPIDO	LEVER	LEVIER	HEBEL
18	04	19954007	DADO ESAG. M12 ZN B. ALTO UNI 5587	NUT	ECROU	MUTTER
19	04	19955275	ROSETTA ELAS.D.12 ZB RINF DIN 128B	SPRING WASHER	RONDELLE ELASTIQUE	FEDERSCHREIBE
20	04	19952645	VITE TE M12X65 ZB UNI 5737	SCREW	VIS	SCHRAUBE
21	02	15945282	BRACCIO ATTACCO ATTREZZI	LIFT ARM	BRAS DE LEVAGE	HUBARM
22	01	15945283	PERNO D.22 X SOLLEVAM. 2 PUNTI	PIN	AXE	BOLZEN
23	01	15001108	SPINA A SCATTO D.8	SPRING CLIP	GOUPILLE RAPIDE	VORSTECKER
24	01	1575505801	Verrouillage attache rapide complet "réf 14 à 17"			
25	01	1594528201	Kit compet bras forgés (paire de bras + visseries)			